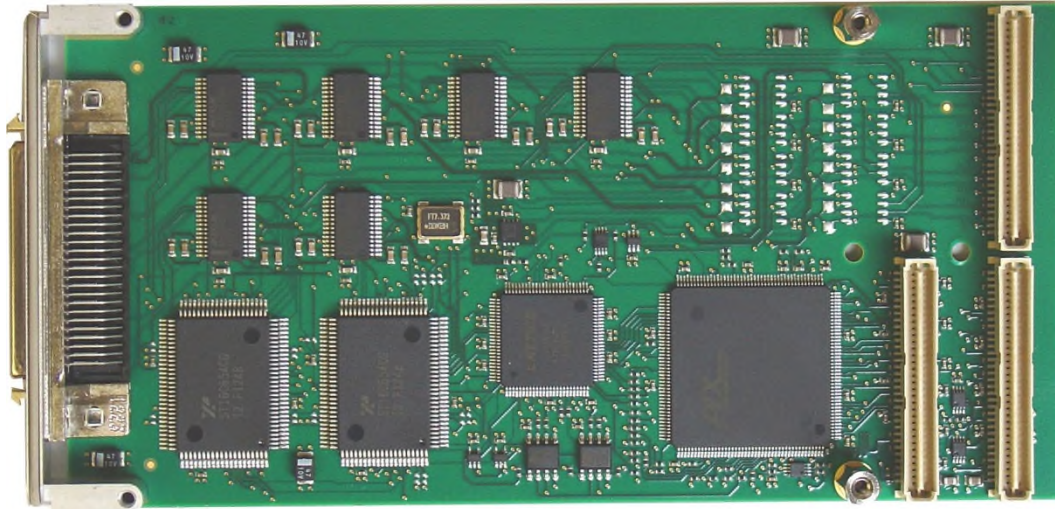


## TPMC866 8 Channel Serial Interface RS232 / RS422



TPMC866-10R

### Application Information

The TPMC866 is a standard single-width 32 bit PMC module and has eight channels of high performance asynchronous serial interface with front I/O and back I/O.

The TPMC866-10R offers an 8 channel RS232 interface and supports Receive Data (RxD), Transmit Data (TxD), Ready-To-Send (RTS), Clear-To-Send (CTS) and GND for each channel. Additionally serial channel one and serial channel two provide Data-Set-Ready (DSR), Data-Terminal-Ready (DTR), Data-Carrier-Detect (DCD) and Ring-Detect-Indicator (RI).

The TPMC866-11R supports an 8 channel RS422 interface and offers RS422 signal levels by differential transmitters and receivers. The Transmit Data (TxD +/-), Receive Data (RxD +/-) and GND are provided for each serial channel. The receiver signal termination (120ohms between RxD+ and RxD-) is provided on the TPMC866 per channel.

Each channel of the TPMC866-10R/-11R has a 64 byte transmit FIFO and a 64 byte receive FIFO to significantly reduce the overhead required to provide data to and get data from the transmitter and receivers. The FIFO trigger levels are programmable.

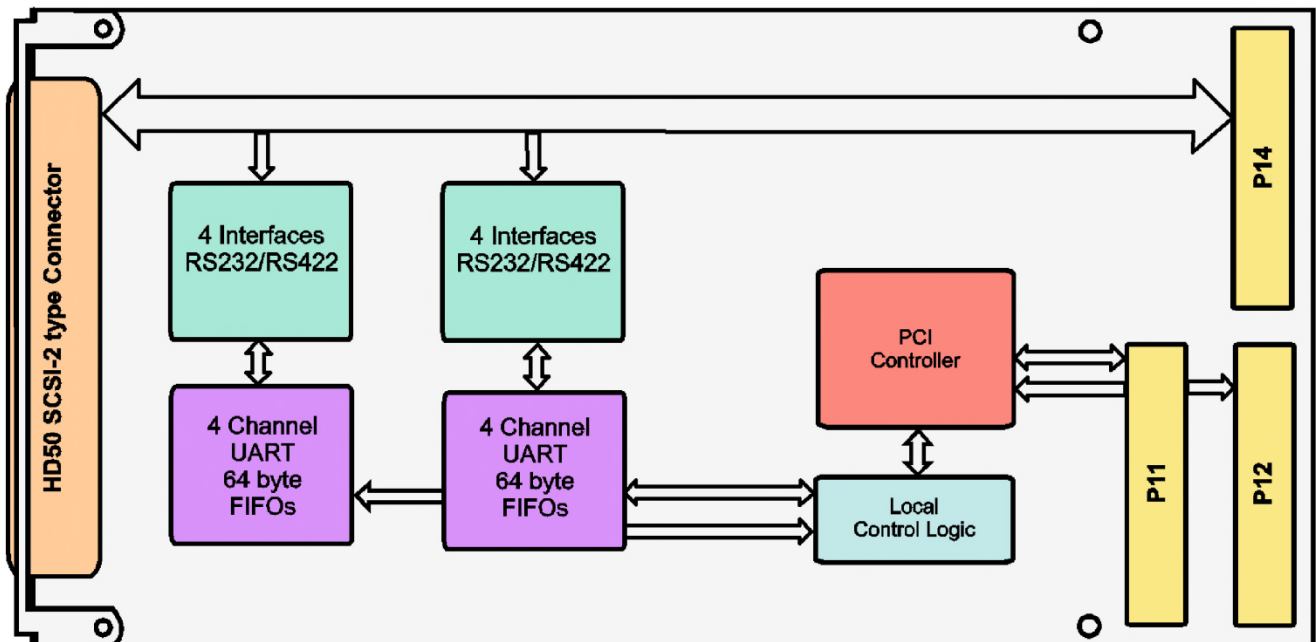
For all modules the baud rate is individually programmable up to 460.8 Kbaud per channel. All channels use the PCI interrupt INTA together but for fast interrupt source detection the TPMC866-xxR provides a special interrupt status register. Receiver and transmitter are protected against electrostatic discharge (ESD).

All TPMC866 modules are available in extended temperature range as TPMC866-xxR-ET versions.

Software support (TPMC866-SW-xx) for different operating systems is available.

### Technical Information

- Standard single-width 32 bit PMC module conforming to IEEE P1386.1
  - Board size: 149 mm x 74 mm
  - PCI r2.1 compliant interface, 32 bit, 33 MHz
  - TPMC866-10R/-11R: 3.3V & 5V PCI Signaling Voltage
  - 8 channel asynchronous serial interface
  - Support of RxD, TxD, RTS, CTS and GND for TPMC866-10R; Support of RxD+/-, TxD+/- and GND for TPMC866-11R
  - Programmable baud rates up to 460.8 Kbaud
  - 64 byte transmit FIFO per channel, 64 byte receive FIFO per channel for TPMC866-10R/-11R
  - ESD protected transceiver ( up to +/- 15KV according to IEC 1000-4-2 )
- Temperature range:  
 0°C to +70°C (TPMC866-10R/-11R)  
 and -40°C to +85°C (TPMC866-10R-ET/-11R-ET)



### Order Information

#### RoHS Compliant

<b>TPMC866-10R</b>	8 Channel Serial RS232, HD50
<b>TPMC866-10R-ET</b>	8 Channel Serial RS232, HD50, ext. temp.
<b>TPMC866-11R</b>	8 Channel Serial RS422, HD50
<b>TPMC866-11R-ET</b>	8 Channel Serial RS422, HD50, ext. temp.
<b>TPMC866-TM-10R</b>	8 Channel Transition Module, DB25
<b>TPMC866-TM-20R</b>	8 Channel Transition Module, RJ45
<b>TPMC866-TM-30R</b>	16 Channel Transition Module, 4-pin RJ connectors
<b>TPMC866-IO-10R</b>	Mounting Rail I/O Module, 8 x DB9

For the availability of non-RoHS compliant (lead solder) products please contact TEWS.

#### Documentation

<b>TPMC866-DOC</b>	User Manual for TPMC866-10R/11R
<b>TPMC866-TM-10-DOC</b>	User Manual for TPMC866-TM-10R-DOC
<b>TPMC866-TM-20-DOC</b>	User Manual for TPMC866-TM-20R-DOC
<b>TPMC866-TM-30-DOC</b>	User Manual for TPMC866-TM-30R-DOC
<b>TPMC866-IO-10-DOC</b>	User Manual for TPMC866-IO-10R-DOC

#### Software

<b>TPMC866-SW-25</b>	Integrity Software Support
<b>TPMC866-SW-42</b>	VxWorks Software Support (Legacy and VxBus-Enabled Software Support)
<b>TPMC866-SW-65</b>	Windows Software Support
<b>TPMC866-SW-82</b>	Linux Software Support
<b>TPMC866-SW-95</b>	QNX Software Support

For other operating systems please contact TEWS.

#### Related Products

<b>TA301</b>	Cable Kit for Modules with HD50 Connector
<b>TPIM001</b>	PIM I/O Module, HD50 connector