

# TA104

## HD68 Cable

**1.8 m cable with two 68 pin male  
SCSI-3 type connectors**

Version 1.0

### **User Manual**

Issue 1.0.2  
January 2011

---

## TA104-10R HD68 Cable

1.8 m cable with two 68 pin male SCSI-3 type connectors

This document contains information, which is proprietary to TEWS TECHNOLOGIES GmbH. Any reproduction without written permission is forbidden.

TEWS TECHNOLOGIES GmbH has made any effort to ensure that this manual is accurate and complete. However TEWS TECHNOLOGIES GmbH reserves the right to change the product described in this document at any time without notice.

TEWS TECHNOLOGIES GmbH is not liable for any damage arising out of the application or use of the device described herein.

### Style Conventions

Hexadecimal characters are specified with prefix 0x, i.e. 0x029E (that means hexadecimal value 029E).

For signals on hardware products, an ‚Active Low’ is represented by the signal name with # following, i.e. IP\_RESET#.

©2005-2011 by TEWS TECHNOLOGIES GmbH

All trademarks mentioned are property of their respective owners.

---

<b>Issue</b>	<b>Description</b>	<b>Date</b>
1.0	First Issue	April 2005
1.1	New Address TEWS LLC	September 2006
1.0.2	Extension "Product Description"	January 2011

---

## Table of Contents

1	PRODUCT DESCRIPTION.....	5
2	HD68 CABLE PIN ASSIGNMENT.....	6
3	ASSEMBLY DRAWING.....	7

## Table of Figures

FIGURE 2-1 :	HD68 CABLE PIN ASSIGNMENT.....	6
FIGURE 3-1 :	ASSEMBLY DRAWING.....	7

---

# **1 Product Description**

The TA104 represents a one to one connection. At both sides of the shielded cable a HD68 SCSI-3 connector is mounted which provide a direct connection to a lot of TEWS product range of PMC, PIM, CompactPCI and VME modules (for example TPMC460, TPMC851, TCP862, TPIM002, and more).

The TA104 HD68 Cable in conjunction with a TA203-10 HD68 Terminal block, a PIM carrier with PIM module and several carriers could be used for prototyping and also for series.

Length of the TA104 HD68 Cable is at least 1.8 m.

The permissible maximum voltage for the TA104 is 30V DC.

Always two wires are constructed as twisted pairs (1 and 35, 2 and 36, ..., 34 and 68).

## 2 HD68 Cable Pin Assignment

X1 male SCSI-3	X2 male SCSI-3	X1 male SCSI-3	X2 male SCSI-3
1	1	35	35
2	2	36	36
3	3	37	37
4	4	38	38
5	5	39	39
6	6	40	40
7	7	41	41
8	8	42	42
9	9	43	43
10	10	44	44
11	11	45	45
12	12	46	46
13	13	47	47
14	14	48	48
15	15	49	49
16	16	50	50
17	17	51	51
18	18	52	52
19	19	53	53
20	20	54	54
21	21	55	55
22	22	56	56
23	23	57	57
24	24	58	58
25	25	59	59
26	26	60	60
27	27	61	61
28	28	62	62
29	29	63	63
30	30	64	64
31	31	65	65
32	32	66	66
33	33	67	67
34	34	68	68

Figure 2-1 : HD68 Cable Pin Assignment

### 3 Assembly Drawing

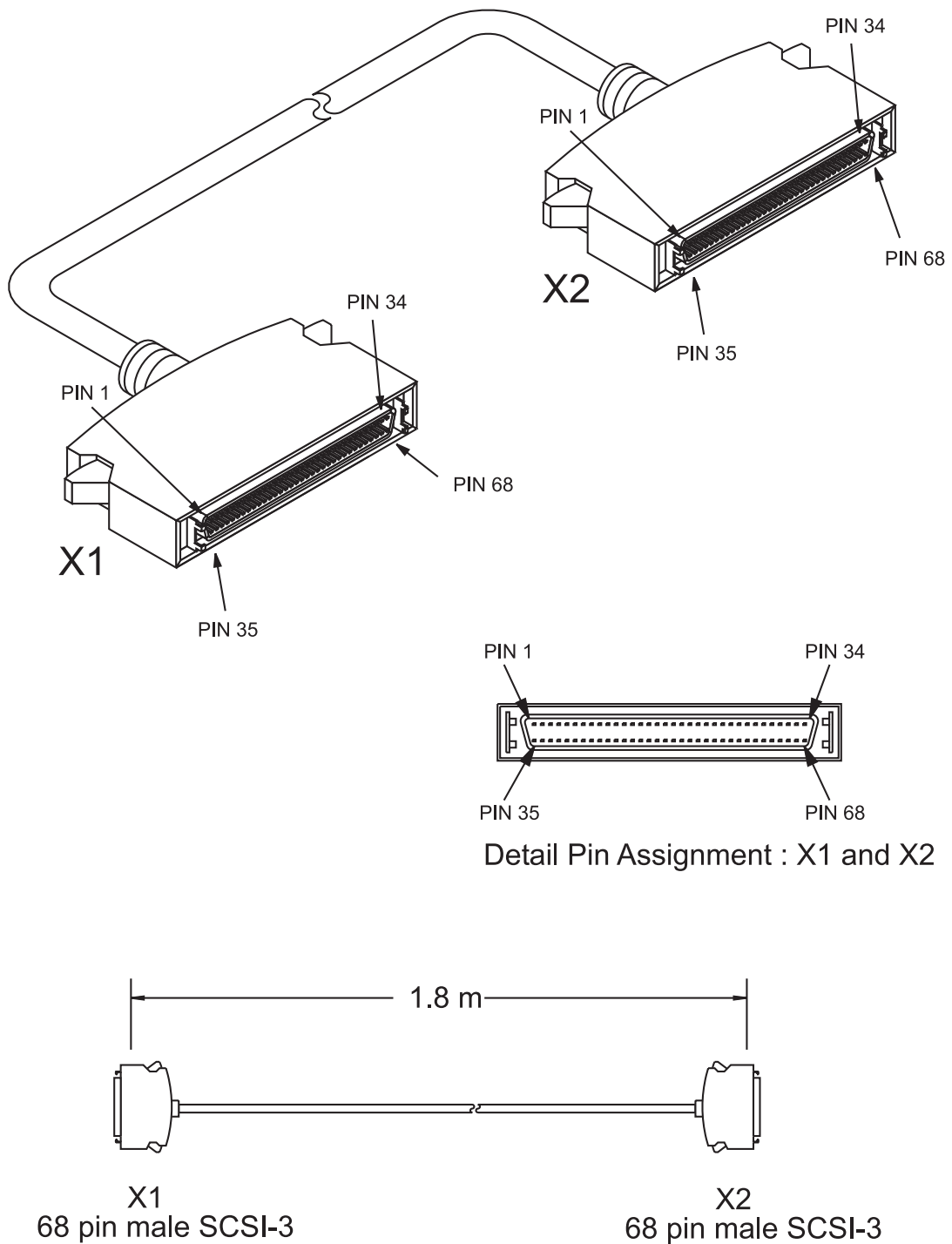


Figure 3-1 : Assembly Drawing