
TA107-10 50 pin CHAMP HD50 Cable

**1.5 m cable with one 50 pin CHAMP male connector and
one HD50 SCSI-2 type connector**

Version 1.0

User Manual

Issue 1.2

October 2008

TEWS TECHNOLOGIES GmbH

Am Bahnhof 7
25469 Halstenbek, Germany
www.tews.com

Phone: +49-(0)4101-4058-0
Fax: +49-(0)4101-4058-19
e-mail: info@tews.com

TEWS TECHNOLOGIES LLC

9190 Double Diamond Parkway,
Suite 127, Reno, NV 89521, USA
www.tews.com

Phone: +1 (775) 850 5830
Fax: +1 (775) 201 0347
e-mail: usasales@tews.com

TA107-10 50 pin CHAMP HD50 Cable

1.5 m cable with one 50 pin CHAMP male connector and one HD50 male SCSI-2 type connector

This document contains information, which is proprietary to TEWS TECHNOLOGIES GmbH. Any reproduction without written permission is forbidden.

TEWS TECHNOLOGIES GmbH has made any effort to ensure that this manual is accurate and complete. However TEWS TECHNOLOGIES GmbH reserves the right to change the product described in this document at any time without notice.

TEWS TECHNOLOGIES GmbH is not liable for any damage arising out of the application or use of the device described herein.

Style Conventions

Hexadecimal characters are specified with prefix 0x, i.e. 0x029E (that means hexadecimal value 029E).

For signals on hardware products, an 'Active Low' is represented by the signal name with # following, i.e. IP_RESET#.

©2005-2008 by TEWS TECHNOLOGIES GmbH

All trademarks mentioned are property of their respective owners.

Issue	Description	Date
1.0	First Issue	April 2005
1.1	New address TEWS LLC	September 2006
1.2	Correction article description "CHAMP"	October 2008

Table of Contents

1	PRODUCT DESCRIPTION.....	5
2	50 PIN CHAMP HD50 CABLE PIN ASSIGNMENT.....	6
3	ASSEMBLY DRAWING.....	7

Table of Figures

FIGURE 2-1 :	50 PIN CHAMP HD50 CABLE PIN ASSIGNMENT.....	6
FIGURE 3-1 :	ASSEMBLY DRAWING.....	7

1 Product Description

The TA107-10 represents a one to one connection. One side of the 50 pin cable is mounted to a 50 pin CHAMP connector and the other side is connected to a HD50 male SCSI-2 type connector. This cable provides a connection to TEWS IP carrier with front I/O CHAMP connectors like the TCP213.

The TA107-10 50 pin CHAMP HD50 Cable in conjunction with a TA201 HD50 terminal block and an IndustryPack® carrier module with 50 pin CHAMP I/O connector could be used for prototyping and also for series.

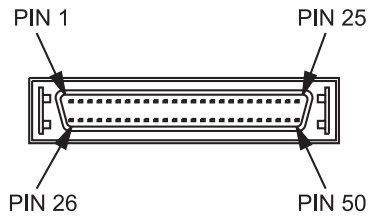
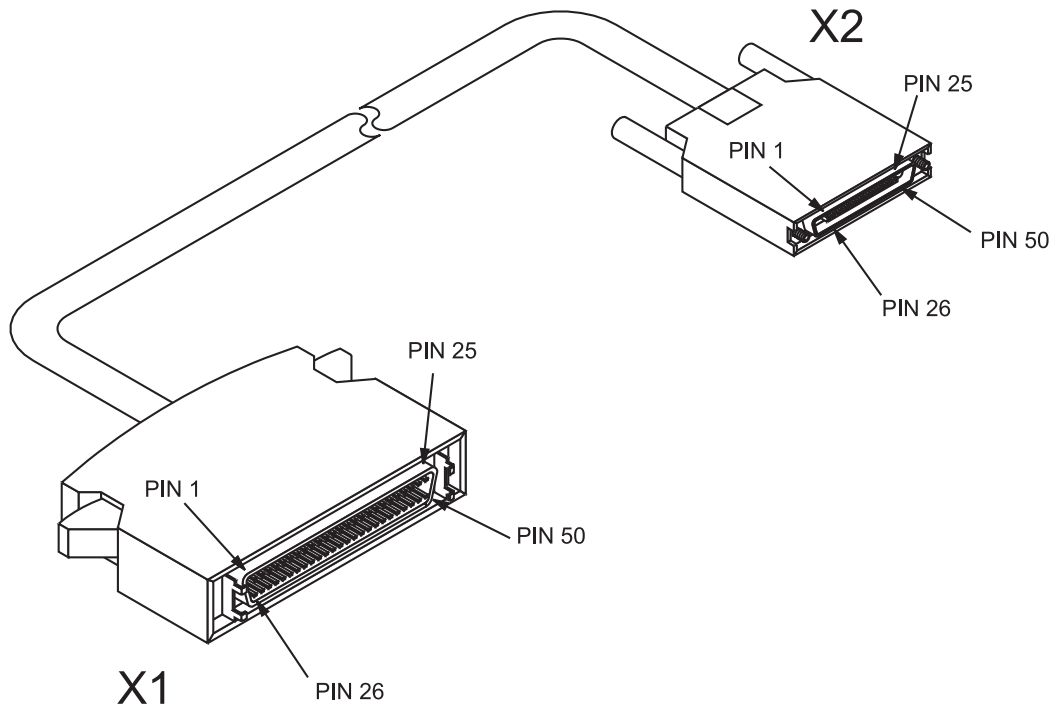
Length of the TA107-10 50 pin CHAMP HD50 Cable is at least 0.8 m.

2 50 pin CHAMP HD50 Cable Pin Assignment

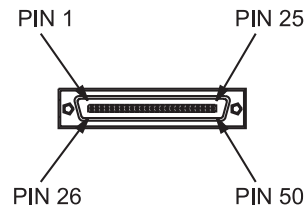
X1 male SCSI-2	X2 50 pin CHAMP male	X1 male SCSI-2	X2 50 pin CHAMP male
1	1	26	26
2	2	27	27
3	3	28	28
4	4	29	29
5	5	30	30
6	6	31	31
7	7	32	32
8	8	33	33
9	9	34	34
10	10	35	35
11	11	36	36
12	12	37	37
13	13	38	38
14	14	39	39
15	15	40	40
16	16	41	41
17	17	42	42
18	18	43	43
19	19	44	44
20	20	45	45
21	21	46	46
22	22	47	47
23	23	48	48
24	24	49	49
25	25	50	50

Figure 2-1 : 50 pin CHAMP HD50 Cable Pin Assignment

3 Assembly Drawing



Detail Pin Assignment : X1



Detail Pin Assignment : X2

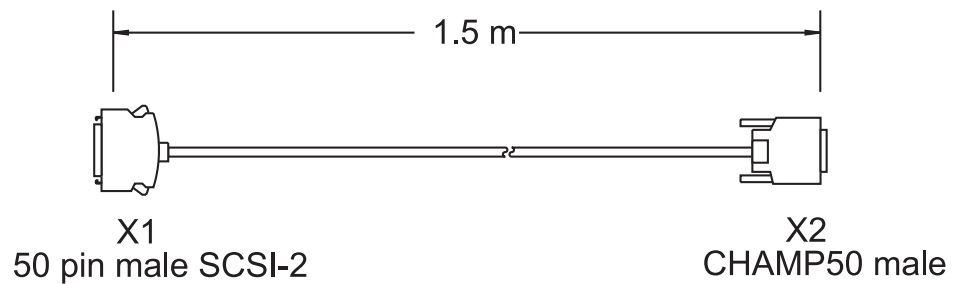


Figure 3-1 : Assembly Drawing