

*The Embedded I/O Company*



---

# TA306-10 Cable Kit

**Cable Kit for Modules with 50 pin CHAMP Connector**

Version 1.0

## **User Manual**

Issue 1.0.3

June 2013

---

**TEWS TECHNOLOGIES GmbH**

Am Bahnhof 7  
25469 Halstenbek, Germany  
[www.tews.com](http://www.tews.com)

Phone: +49-(0)4101-4058-0  
Fax: +49-(0)4101-4058-19  
e-mail: [info@tews.com](mailto:info@tews.com)

**TEWS TECHNOLOGIES LLC**

9190 Double Diamond Parkway,  
Suite 127, Reno, NV 89521, USA  
[www.tews.com](http://www.tews.com)

Phone: +1 (775) 850 5830  
Fax: +1 (775) 201 0347  
e-mail: [usasales@tews.com](mailto:usasales@tews.com)

## TA306-10 Cable Kit

Cable Kit for Modules with 50 pin CHAMP Connector

This document contains information, which is proprietary to TEWS TECHNOLOGIES GmbH. Any reproduction without written permission is forbidden.

TEWS TECHNOLOGIES GmbH has made any effort to ensure that this manual is accurate and complete. However TEWS TECHNOLOGIES GmbH reserves the right to change the product described in this document at any time without notice.

TEWS TECHNOLOGIES GmbH is not liable for any damage arising out of the application or use of the device described herein.

### Style Conventions

Hexadecimal characters are specified with prefix 0x, i.e. 0x029E (that means hexadecimal value 029E).

For signals on hardware products, an 'Active Low' is represented by the signal name with # following, i.e. IP\_RESET#.

©2013 by TEWS TECHNOLOGIES GmbH

IndustryPack is a registered trademark of SBS Technologies, Inc

---

<b>Issue</b>	<b>Description</b>	<b>Date</b>
1.0	First Issue	April 2005
1.1	New address TEWS LLC	September 2006
1.2	Correction article description "CHAMP"	October 2008
1.0.3	Assembly Drawing correction	June 2013

---

## Table of Contents

1	PRODUCT DESCRIPTION.....	5
2	50 PIN CHAMP TERMINAL BLOCK PIN ASSIGNMENT .....	6
3	ASSEMBLY DRAWING.....	7

## List of Tables

TABLE 2-1 : PIN ASSIGNMENT TA306-10 .....	6
---	---

## List of Figures

FIGURE 3-1 : TERMINAL BLOCK ASSEMBLY DRAWING .....	7
FIGURE 3-2 : CABLE ASSEMBLY DRAWING .....	8

---

# **1 Product Description**

The TA306-10 combines the TA201-10 HD50 Terminal Block and the TA107-10 50 pin CHAMP HD50 Cable. It is used to build a standard interface for a switch cabinet to connect TEWS modules with other system devices. The 50 pin CHAMP Cable Kit is therefore an essential wiring interface for prototyping and in the same way for machines and peripheral equipment.

The HD50 Cable connection could be used for modules with a 50 pin CHAMP male connector. At one side off the cable a 50 pin male SCSI-2 connectors is mounted which is used for connection to the HD50 Terminal Block. At the other side of the cable a 50 pin CHAMP male connector is mounted which provides a connection to TEWS IP carrier with front I/O CHAMP connectors like the TCP213.

Always two wires of the 50 pin CHAMP HD50 Cable are constructed as twisted pairs (1 and 26, 2 and 27, ..., 25 and 50).

The HD50 Terminal Block has a universal socket and may simply mount on standard EM mounting rails as a compact terminal strip. Screw connections of the used terminal block have a nominal cross section of 2.5 mm<sup>2</sup>.

## 2 50 pin CHAMP Terminal Block Pin Assignment

Terminal Block	X2 50 pin CHAMP male	Terminal Block	X2 50 pin CHAMP male
1	1	26	26
2	2	27	27
3	3	28	28
4	4	29	29
5	5	30	30
6	6	31	31
7	7	32	32
8	8	33	33
9	9	34	34
10	10	35	35
11	11	36	36
12	12	37	37
13	13	38	38
14	14	39	39
15	15	40	40
16	16	41	41
17	17	42	42
18	18	43	43
19	19	44	44
20	20	45	45
21	21	46	46
22	22	47	47
23	23	48	48
24	24	49	49
25	25	50	50

Table 2-1 : Pin Assignment TA306-10

# 3 Assembly Drawing

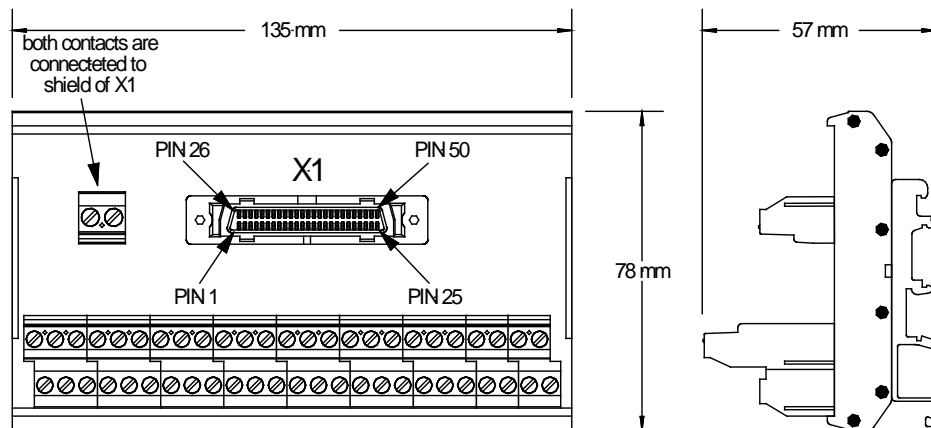
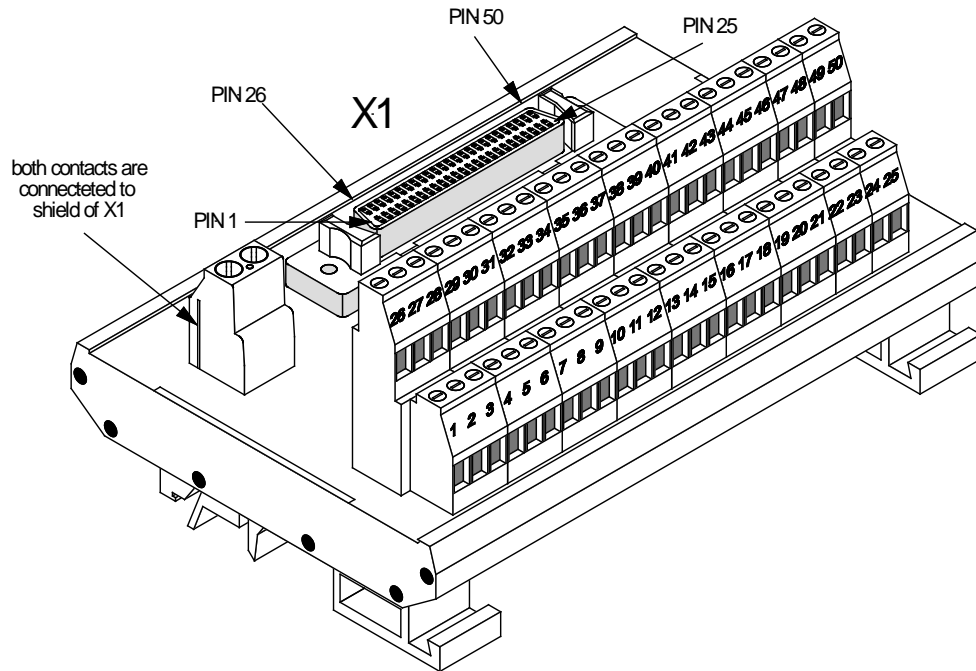
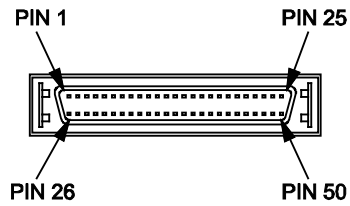
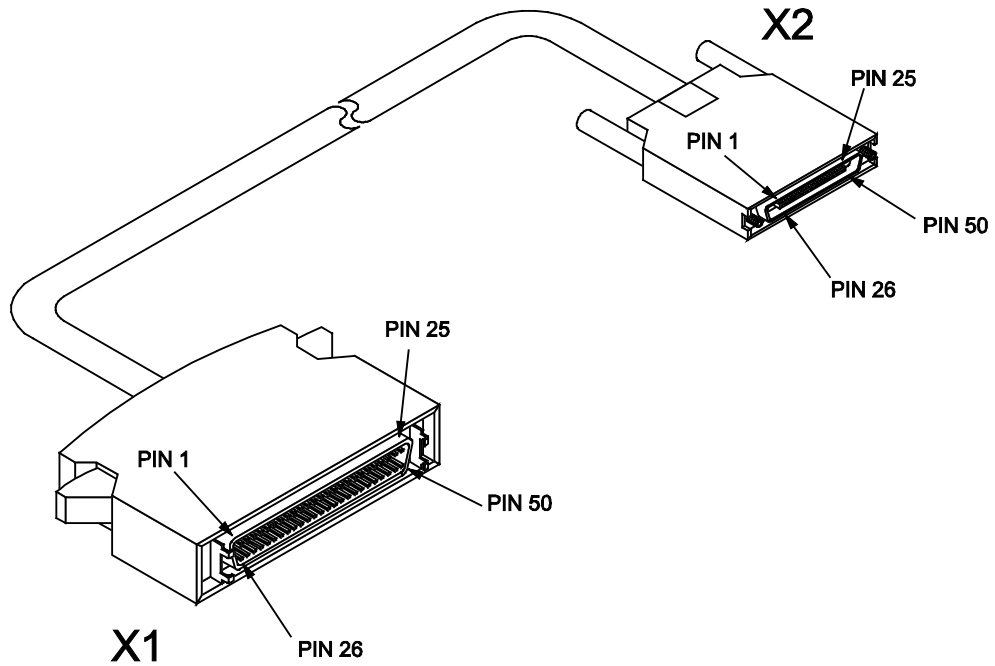
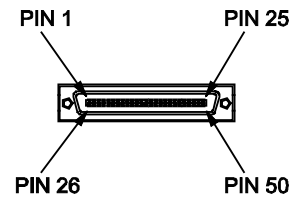


Figure 3-1 : Terminal block Assembly Drawing



**Detail Pin Assignment : X1**



**Detail Pin Assignment : X2**

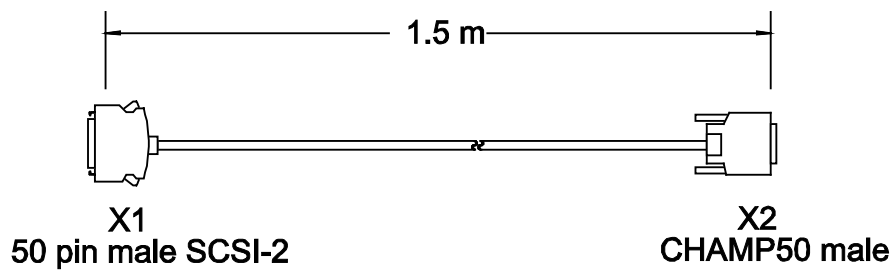


Figure 3-2 : Cable Assembly Drawing