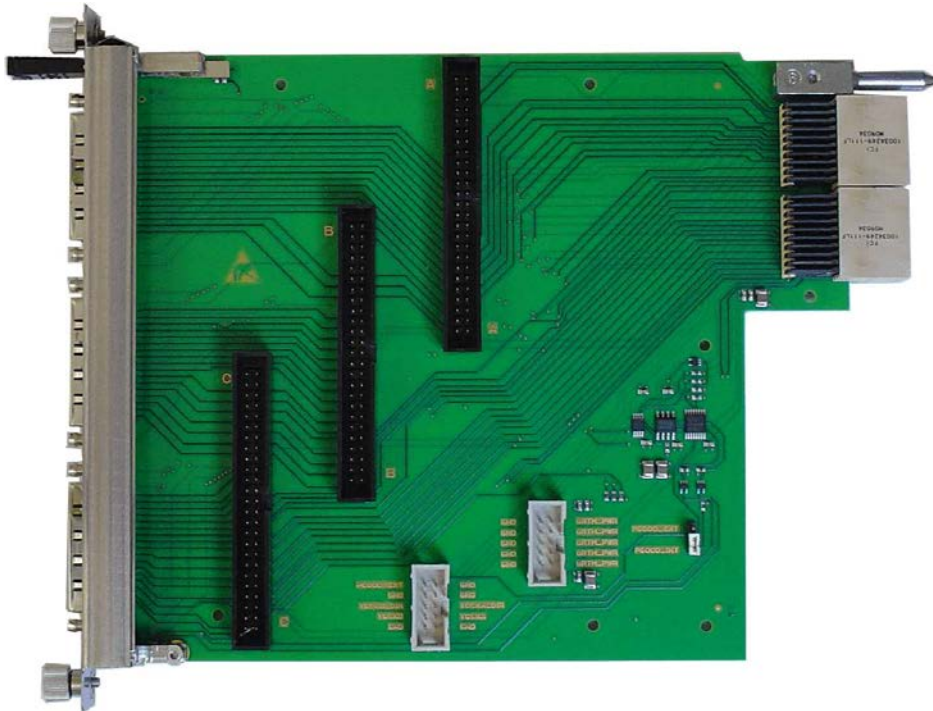


TAMC002-TM MTCA.4 Rear-I/O μ RTM for TAMC220



Application Information

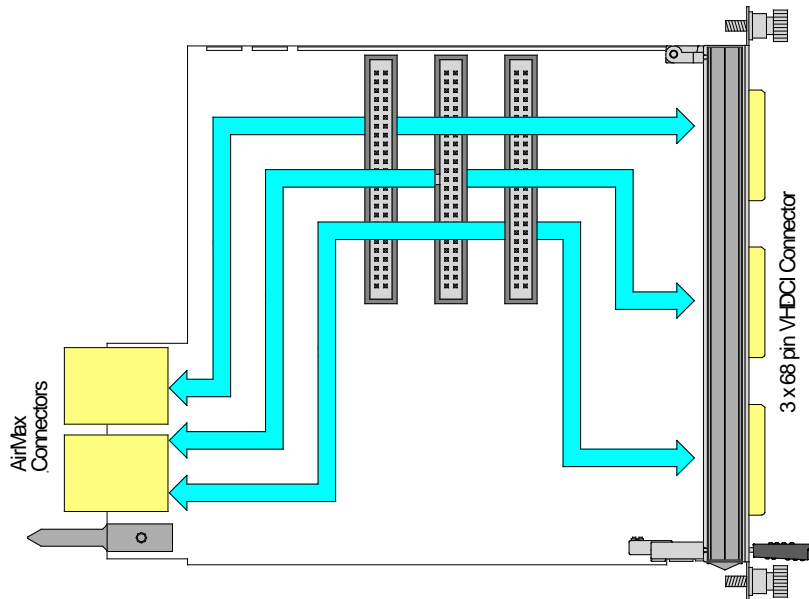
The TAMC002-TM is a standard Mid-Size/Full-Size MTCA.4 compliant Micro Rear Transition Module compatible to the TAMC220.

Two AirmaxVS connectors provide access to all IP I/O lines of the TAMC220. The I/O lines are routed to three VHD68 SCSI-V connectors in the front panel and also to three 50-pin flat cable connectors that may be used for rack internal wiring or laboratory use.

According to MTCA.4, the TAMC002-TM provides an I2C EEPROM, an I2C temperature sensor and an I2C I/O Extender device. The I/O Extender is used to provide various management signals on the μ RTM, with the management being handled by the MMC of the TAMC220.

Technical Information

- Form Factor: PICMG MTCA.4 Rear Transition Module
 - Board size: Double Mid-Size or Double Full-Size
- MTCA.4 compatible IPMI support
- I/O Connectors:
 - VHD68 SCSI-V (front panel)
 - 50-pol. flat cable
- Front-Panel LEDs:
 - Blue Hot-Swap LED
 - Red Failure LED (LED1)
 - Green Board OK LED (LED2)
- Operating temperature -40°C to +85°C
- MTBF (MIL-HDBK217F/FN2 G_B 20°C)
TAMC002-TM-xxR: 448000h



Order Information

RoHS Compliant

TAMC002-TM-10R MTCA.4 Rear I/O μ RTM for TAMC220, Double Mid-Size, 3 x VHD68

TAMC002-TM-11R MTCA.4 Rear I/O μ RTM for TAMC220, Double Full-Size, 3 x VHD68

For the availability of non-RoHS compliant (lead solder) products please contact TEWS.

Documentation

TAMC002-TM-DOC User Manual

Related Products

TA307 Cable Kit for modules with VHD68 connector