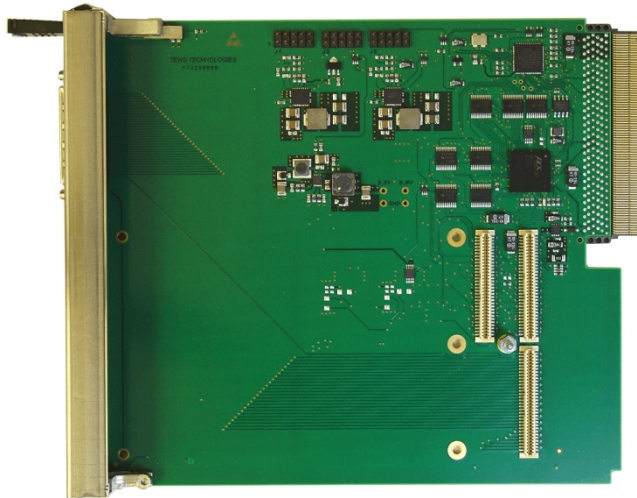


TAMC260 PMC-Carrier for AMC



Application Information

The TAMC260 is a standard Mid-Size/Full-Size AMC module that provides one slot for a single-width PMC module used to build modular, flexible and cost effective I/O solutions for applications in process control, medical systems, telecommunication and traffic control.

32 bit PCI accesses are supported on PCI bus with PCI frequency 33 MHz and also 66 MHz. The PLX8112 PCIe-to-PCI bridge provides the real connection between primary PCIe link and the secondary PMC slot. The bridge controls all PCI accesses and the frequency for the PMC access.

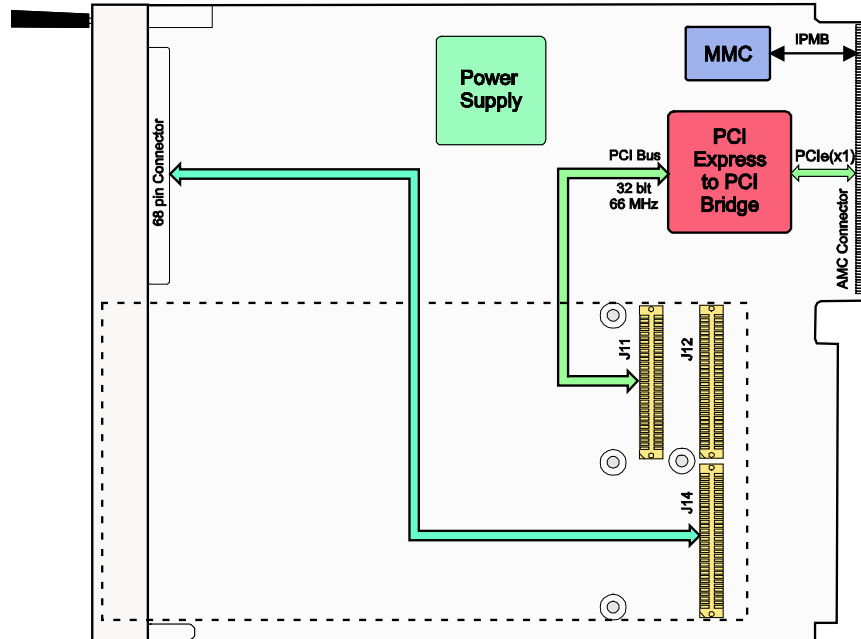
The TAMC260 supports front panel I/O, alternatively a 68 pin SCSI-V type connector provides access to the PMC P14 back I/O lines.

The TAMC260 is a versatile solution to upgrade well known legacy I/O solutions to a high performance form factor.

According to AMC.0, the TAMC260 provides an IPMI compliant Module Management Controller (MMC) with temperature monitoring and hot-swap support.

Technical Information

- Form Factor: PICMG AMC.1 Module
 - Board size: 180.6 mm x 146.5 mm
 - Double-width / Mid-Size or Full-Size
- PCIe single lane (1x) port (AMC.1 Type 1 compliant)
- IPMI support
- Front Panel LEDs:
 - Blue Hot-Swap LED
 - Red Power Good LED (LED1)
 - Green PMC-Present LED (LED2)
- One PMC site conforming to PMC standard (IEEE 1386.1)
- Front panel I/O
- P14 back I/O via a 68 pin SCSI-V type connector
- PCI 3.0 compliant interface
- PCI Interface: 33/66 MHz; 32 bit
- 5V and 3.3V PCI I/O signaling voltage possible
- Operating temperature -40°C to +85°C



Order Information

RoHS Compliant

- TAMC260-10R** Full-Size PMC-Carrier for AMC, 5V PMC I/O Voltage
- TAMC260-11R** Full-Size PMC-Carrier for AMC, 3.3V PMC I/O Voltage
- TAMC260-20R** Mid-Size PMC-Carrier for AMC, 5V PMC I/O Voltage
- TAMC260-21R** Mid-Size PMC-Carrier for AMC, 3.3V PMC I/O Voltage

For the availability of non-RoHS compliant (lead solder) products please contact TEWS.

Documentation

- TAMC260-DOC** User Manual

Related Product

- TA307** Cable Kit for Modules with VHD68 Connector