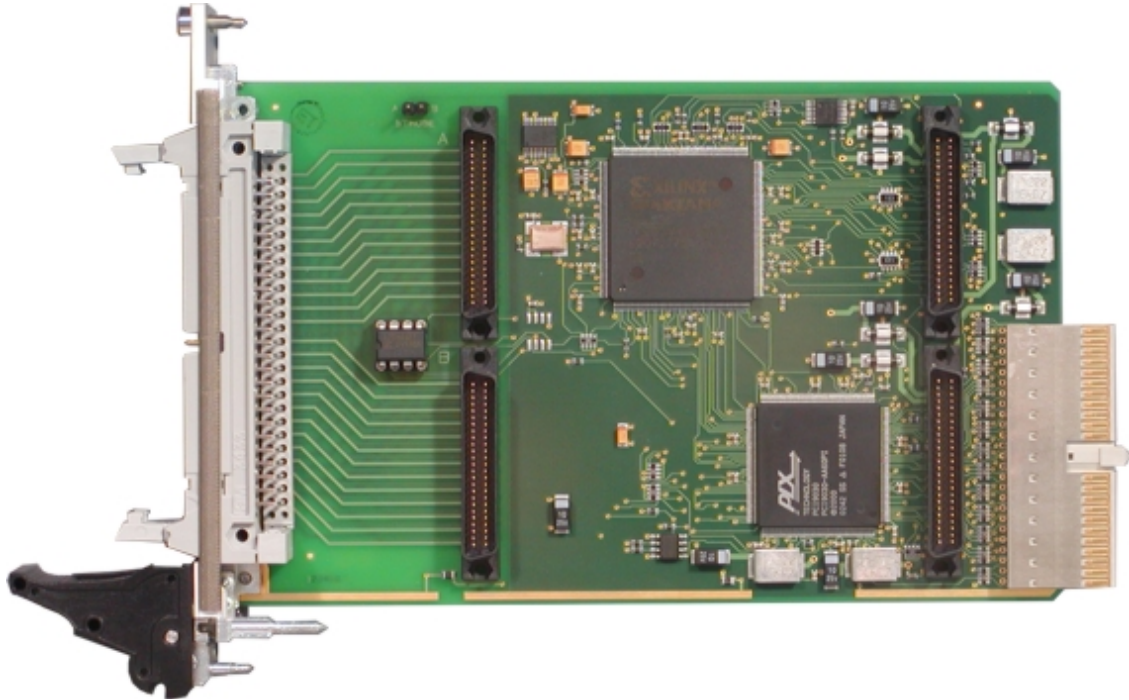


TCP211 CompactPCI Carrier for 2 IndustryPacks®



Application Information

The TCP211 is a standard 3U CompactPCI carrier for up to two single-size or one double-size IndustryPack (IP) modules used to build modular, flexible and cost effective I/O solutions for applications in process control, medical systems, telecommunication and traffic control.

Access to all IP I/O lines is provided by two 50 pin 0.1 inch flat ribbon cable connectors mounted in the front panel.

The TCP211 can operate with 3.3V and 5.0V PCI I/O signaling voltage.

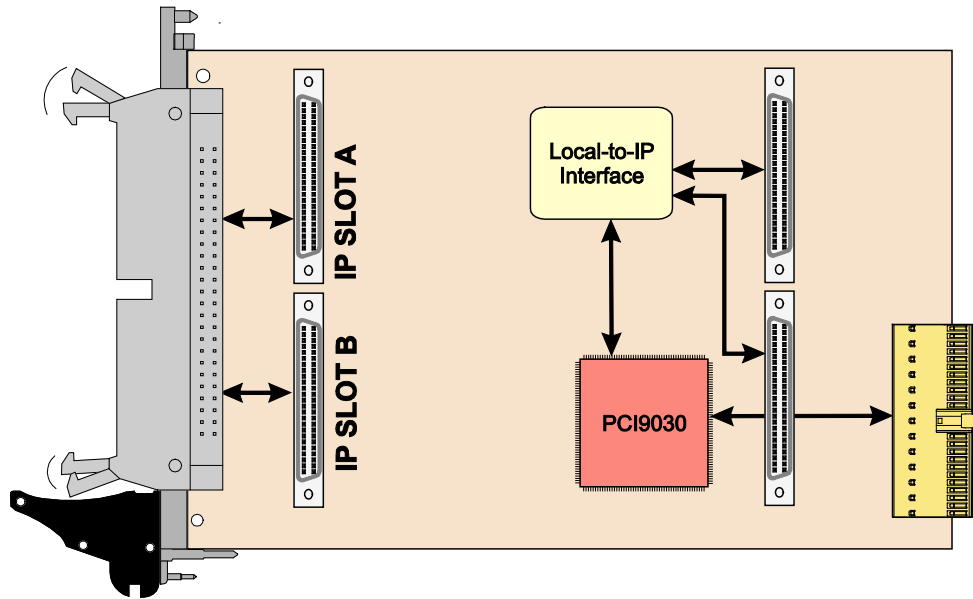
All IP interrupt request lines are mapped to PCI INTA. For fast interrupt source detection, the TCP211 provides a special IP interrupt status register.

The IP power lines are fuse protected by self healing fuses and RF filtered. The operating temperature range is -40°C to +85°C.

The TCP211 complies with the PICMG 2.0 Revision 3.0 CompactPCI specification.

Technical Information

- Standard 3U 32 bit CompactPCI module conforming to PICMG 2.0 Rev 3.0
 - PCI 2.2 compliant interface
 - Board size: 160mm x 100mm
 - PCI Interface : 33 MHz; 32 bit
 - 5V and 3.3V PCI I/O signaling voltage
- ANSI/VITA 4-1995 compliant interface to IndustryPack modules
 - IndustryPack slots: Two single-size or one double-size
 - 8/32 MHz interface, no DMA
 - 8 MByte memory space per IP
 - Routing of all IP interrupts to PCI INTA, local interrupt status register
 - I/O access: 50 pin 0.1 inch flat ribbon cable connector per IP mounted in front panel
- Self healing fuses and RF-filtering on all IP power lines
- Operating temperature -40°C to +85°



Order Information

RoHS Compliant

TCP211-10R 3U 2 Slot IndustryPack Carrier, 50 pin ribbon cable connector (stacked version)

For the availability of non-RoHS compliant (lead solder) products please contact TEWS.

Documentation

TCP211-DOC User Manual

Software

CARRIER-SW-42 VxWorks IP Carrier Software Support (Legacy and VxBus-enabled Software Support)

CARRIER-SW-65 Windows IP Carrier Software Support

CARRIER-SW-82 Linux IP Carrier Software Support

CARRIER-SW-95 QNX IP Carrier Software Support

For other operating systems please contact TEWS.

Related Products

TA305 Cable Kit for Modules with 50 pin Ribbon Cable Connector

TCP001-FP 6U Front Panel Extension for 3U cPCI Boards