

## TCP212 CompactPCI Carrier for 2 IndustryPacks®

### Application Information

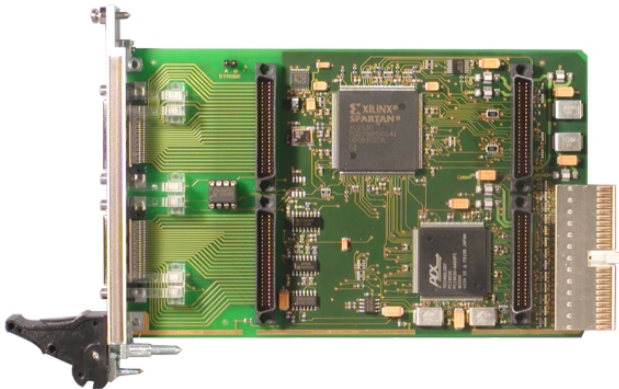
The TCP212 is a standard 3U CompactPCI carrier that provides front I/O for up to two single-size or one double-size IndustryPack (IP) modules used to build modular, flexible and cost effective I/O solutions for applications in process control, medical systems, telecommunication and traffic control.

For improved EMI protection, two 50 pin champ connectors are mounted in the EMI front panel of the TCP212 and provide access to all IP I/O lines. The champ connectors are assembled with screw locks to achieve a secure and reliable connection to the cable. Status indicators for IP access, +5V and +/-12V are provided in the front panel.

The TCP212 can operate with 3.3V and 5.0V PCI I/O signaling voltage.

All IP interrupt request lines are mapped to PCI INTA. For fast interrupt source detection, the TCP212 provides a special IP interrupt status register.

The IP power lines are fuse protected by self healing fuses and RF filtered. The operating temperature range is -40°C to +85°C.

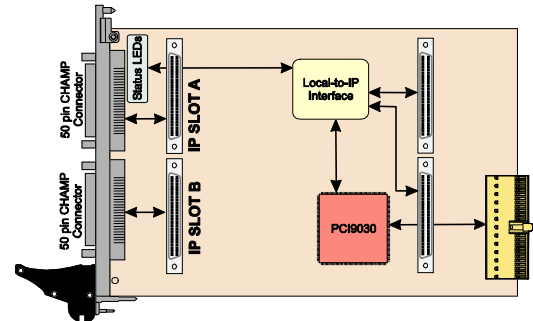


The TCP212 complies with the PICMG 2.0 Revision 3.0 CompactPCI specification.

For First-Time-Buyers the Engineering Documentation TCP212-ED is recommended. The Engineering Documentation includes TCP212-DOC, schematics and data sheets of the TCP212.

### Technical Information

- Standard 3U 32 bit CompactPCI module conforming to PICMG 2.0 Rev 3.0
  - PCI 2.2 compliant interface
  - Board size: 160mm x 100mm
  - PCI Interface: 33 MHz; 32 bit
  - 5V and 3.3V PCI I/O signaling voltage
- ANSI/VITA 4-1995 compliant interface to IndustryPack modules
  - IndustryPack slots: Two single-size or one double-size
  - 8/32 MHz interface, no DMA
  - 8 MByte memory space per IP
  - Routing of all IP Interrupts to PCI INTA, local interrupt status register
  - I/O access: 50 pin Champ connector per IP, front panel I/O
- Status LED's
  - ACK LED for each IP module
  - +5V Power LED for each IP slot
  - +12V and -12V Power LED
- Self Healing fuses and RF-filtering on all IP power lines
- Operating temperature -40°C to +85°C



### Order Information

#### RoHS Compliant

**TCP212-10R** CompactPCI Carrier for 2 IndustryPacks,  
EMI front I/O

#### None RoHS Compliant

TCP212-10 None RoHS compliant version of  
TCP212-10R

#### Documentation

**TCP212-DOC** User Manual

**TCP212-ED** Engineering Documentation, includes  
TCP212-DOC

#### Software

**CARRIER-SW-25** Integrity Software Support

**CARRIER-SW-42** VxWorks Software Support (Legacy  
and VxBus-enabled Software  
Support)

**CARRIER-SW-65** Windows XP/XPE/2000 IP Carrier  
Software Support

**CARRIER-SW-72** LynxOS IP Carrier Software Support

**CARRIER-SW-82** Linux IP Carrier Software Support

**CARRIER-SW-95** QNX 6 IP Carrier Software Support

For other operating systems please contact TEWS.

#### Related Products

**TA306** Cable Kits for modules with  
CHAMP50 connector

**TCP001-FP** Front Panel extension for 3U cPCI  
boards