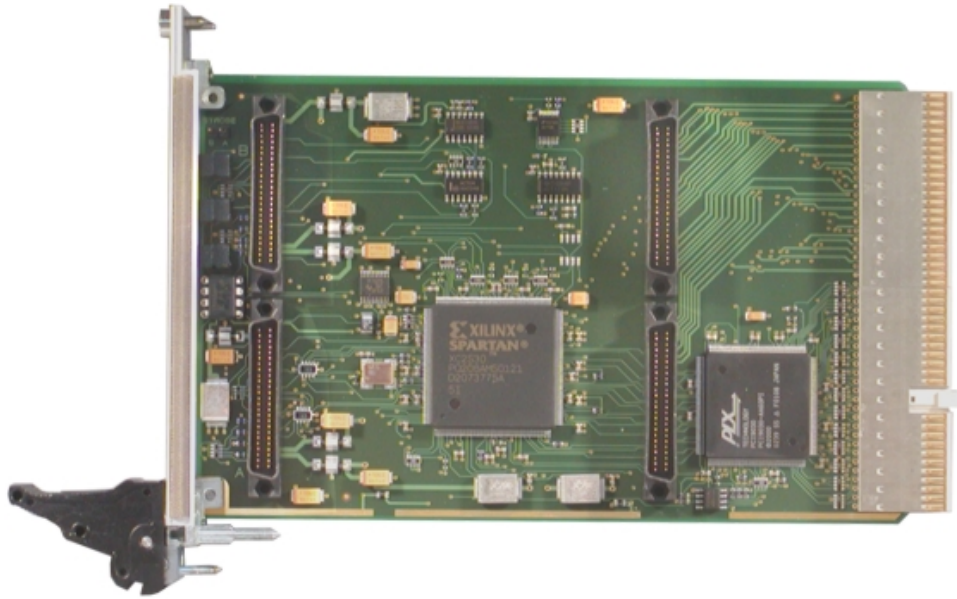


TCP213 CompactPCI Carrier for 2 IndustryPacks®



Application Information

The TCP213 is a standard 3U CompactPCI carrier that provides back I/O for up to two single-size or one double-size IndustryPack (IP) modules. It is used to build modular, flexible and cost effective I/O solutions for applications in process control, medical systems, telecommunication and traffic control.

Access to all IP I/O lines is provided via J2. Status indicators for IP access, +5V and +/-12V are provided in the front panel.

The TCP213 can operate with 3.3V and 5.0V PCI I/O signaling voltage.

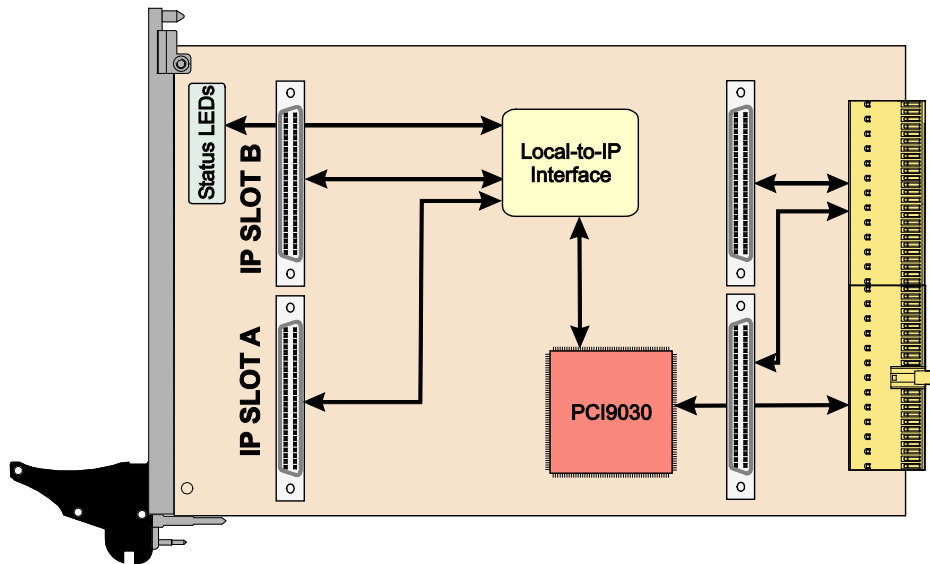
All IP interrupt request lines are mapped to PCI INTA. For fast interrupt source detection, the TCP213 provides a special IP interrupt status register.

The IP power lines are fuse protected by self healing fuses and RF filtered. The operating temperature range is -40°C to +85°C.

The TCP213 complies with the PICMG 2.0 Revision 3.0 CompactPCI specification.

Technical Information

- 3U 32 bit CompactPCI module conforming to PICMG 2.0 Rev 3.0
 - PCI 2.2 compliant interface
 - Board size: 160mm x 100mm
 - PCI Interface : 33 MHz; 32 bit
 - 5V and 3.3V PCI I/O signaling voltage
- ANSI/VITA 4-1995 compliant interface to IndustryPack modules
 - IndustryPack slots: Two single-size or one double-size
 - 8/32 MHz interface, no DMA
- 8 MByte memory space per IP
- Routing of all IP Interrupts to PCI INTA, local interrupt status register
- I/O access via J2
- Status LED's
 - ACK LED for each IP module
 - +5V Power LED for each IP slot
 - +12V and -12V Power LED
- Self Healing fuses and RF-filtering on all IP power lines
- Operating temperature -40°C to +85°C



Order Information

RoHS Compliant

TCP213-10R 3U 2 Slot IndustryPack Carrier, rear I/O on J2

For the availability of non-RoHS compliant (lead solder) products please contact TEWS.

Documentation

TCP213-DOC User Manual

Software

CARRIER-SW-42 VxWorks IP Carrier Software Support (Legacy and VxBus-enabled Software Support)

CARRIER-SW-65 Windows IP Carrier Software Support

CARRIER-SW-82 Linux IP Carrier Software Support

CARRIER-SW-95 QNX IP Carrier Software Support

For other operating systems please contact TEWS.

Related Products

TCP010-TM 3U Transition Module for IndustryPack Carrier, 50pin ribbon cable connectors (rack internal)

TCP011-TM 3U Transition Module for IndustryPack Carrier, 50pin ribbon cable connectors (stacked version)

TCP001-FP 6U Front Panel Extension for 3U cPCI Boards