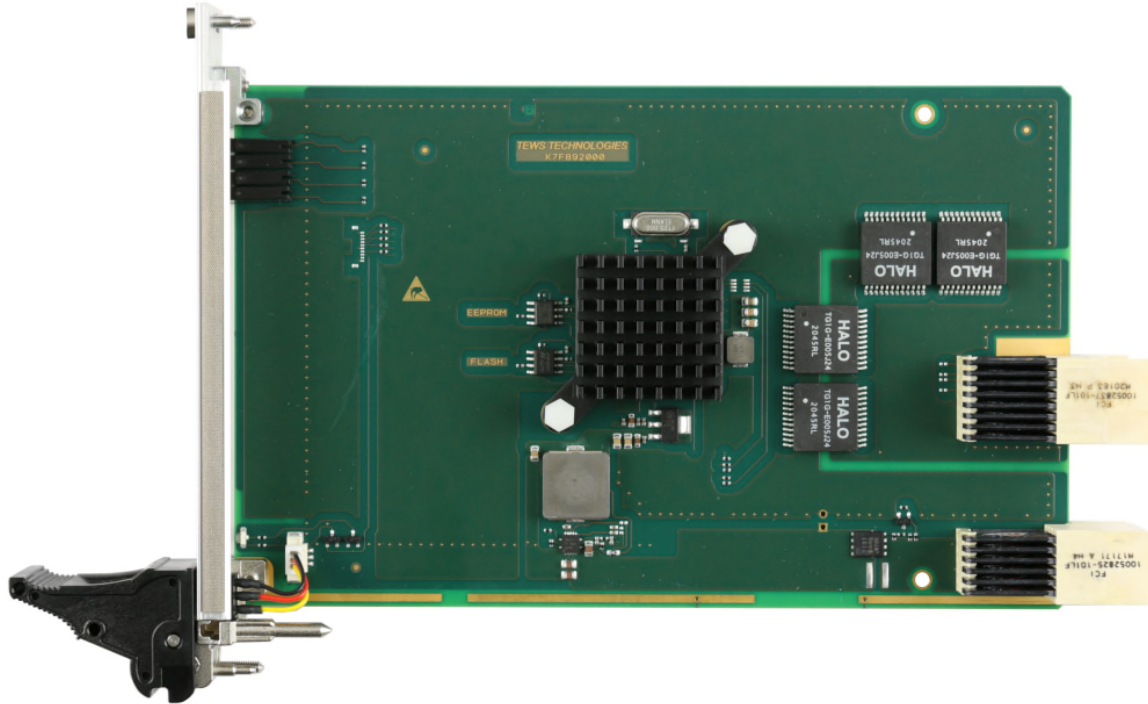


## TCPS892 Four Channel 10/100/1000 Mbit/s Ethernet



TCPS892-10R

### Application Information

The TCPS892 is a PICMG CPCI-S.0 R2.0 compatible 3U module providing a four channel Ethernet 10Base-T / 100Base-TX / 1000Base-T interface.

The Intel I350 provides integrated PHYs that support 10, 100 and 1000 Mbit/s transmission rates and is equipped with a 1 Mbit Serial Flash to support PXE and iSCSI boot.

The four Ethernet interfaces of the TCPS892 are capable of performing an auto negotiation algorithm which allows both link-partners to determine the best link-parameters. The TCPS892 supports IEEE 1588/802.1AS Precision Time Protocol (PTP).

The controller is equipped with a 128 Kbit EEPROM storing configuration data. LEDs in the front panel indicate the different network activities.

All ports are galvanically isolated from the Ethernet controllers and are routed to the P3 rear I/O connector.

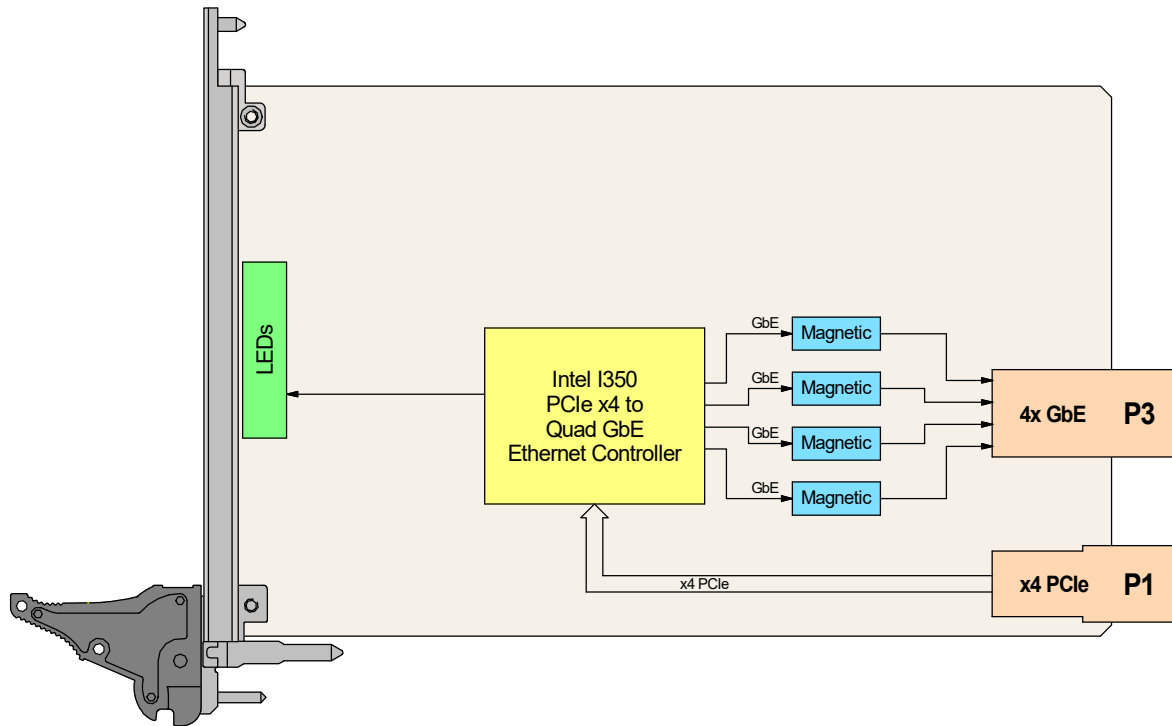
An accompanying CompactPCI Serial 3U Rear Board TCPS007-TM with reconstruction filters and four RJ45 connectors is available.

#### Software support:

- Software support for Intel™ I350 at [www.intel.com](http://www.intel.com)
- For operating systems not supported by Intel™, please contact TEWS.

### Technical Information

- Form Factor: 3U CPCI-S.0 R2.0
  - Board size: 160 mm x 100 mm
- x4 PCI Express (Base Specification 2.1) compliant interface conforming to ANSI/VITA 42.3
- Quad Port Intel™ I350-AM4 Gigabit Ethernet controller
- 10Base-T / 100Base-TX / 1000Base-T
- Half or full-duplex operation
- 1 Mbit serial flash memory for Boot ROM
- 128 Kbit EEPROM storing configuration data
- 3U Rear Board with 4x RJ45 available
- Operating temperature -40°C to +85°C
- MTBF (MIL-HDBK217F/FN2 GB 20°C)  
TCPS892-10R: 539000 h



## Order Information

### RoHS Compliant

**TCPS892-10R** Four Channel 10/100/1000 Mbit/s Ethernet, Intel I350, P3 Rear I/O

For the availability of non-RoHS compliant (lead solder) products please contact TEWS.

### Documentation

**TCPS892-DOC** User Manual

### Related Products

**TCPS007-TM-10R** Rear I/O Module for Quad 10/100/1000 Mbit/s Ethernet CPCI-S