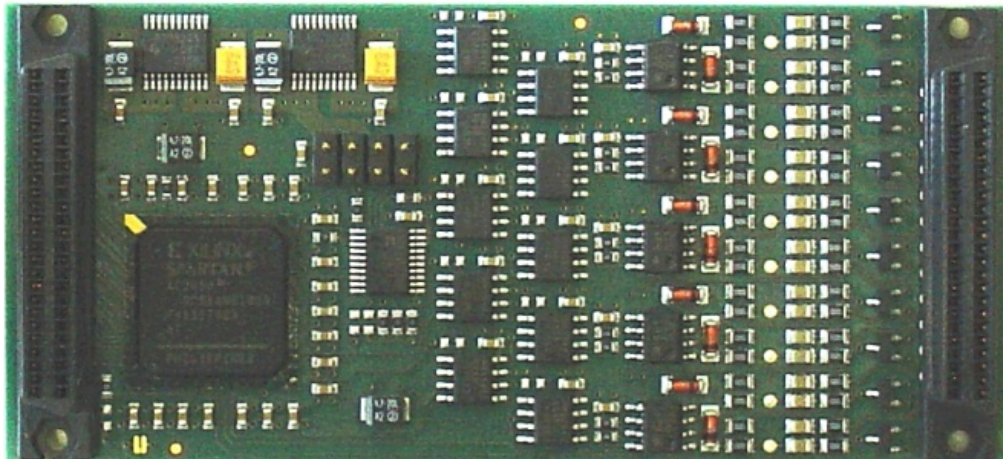


TIP114 10 Channel Absolute Encoder Interface (SSI)



Application Information

The TIP114 is an IndustryPack® compatible module for motion control applications.

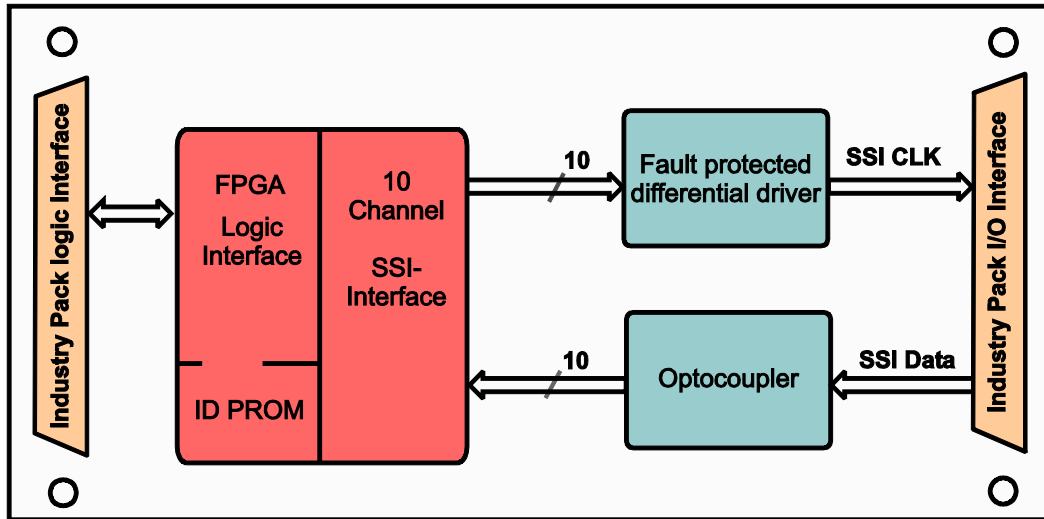
The TIP114 offers ten independent SSI interfaces with programmable clock rates from 1 μ s to 15 μ s and programmable data bits from 1 bit to 32 bit. The position feedback is provided by an absolute encoder with a synchronous serial interface (SSI) and a corresponding 32 bit (maximum) shift register at the IP. The level of the encoder signals is RS422.

The data inputs are galvanically isolated by high speed optocouplers. Each SSI channel can handle a data stream which is encoded in Binary- or in Gray-Code, without or with parity as well as with even or odd parity.

Software support (TIP114-SW-xx) is available for different operating systems.

Technical Information

- Interface according to IndustryPack specification
- Single Size IndustryPack
- 10 Channel absolute encoder interface with isolated serial SSI inputs
- SSI clock rate programmable from 1 μ s to 15 μ s
- SSI data programmable from 1 bit to 32 bit
- Fault protected differential clock drivers with additional TVS array
- EIA-422 encoder inputs galvanically isolated by high speed optocouplers
- Operating temperature -40°C to +85°C
- MTBF (MIL-HDBK217F/FN2 G_B 20°C)
TIP114-10R: 444000 h



Order Information

RoHS Compliant

TIP114-10R 10 Channel Absolute Encoder (SSI) Interface

For the availability of non-RoHS compliant (lead solder) products please contact TEWS.

Documentation

TIP114-DOC User Manual

Software

TIP114-SW-42 VxWorks Software Support (Legacy and VxBus-Enabled Software Support)

TIP114-SW-65 Windows Software Support

TIP114-SW-82 Linux Software Support

TIP114-SW-95 QNX Software Support

For other operating systems please contact TEWS.