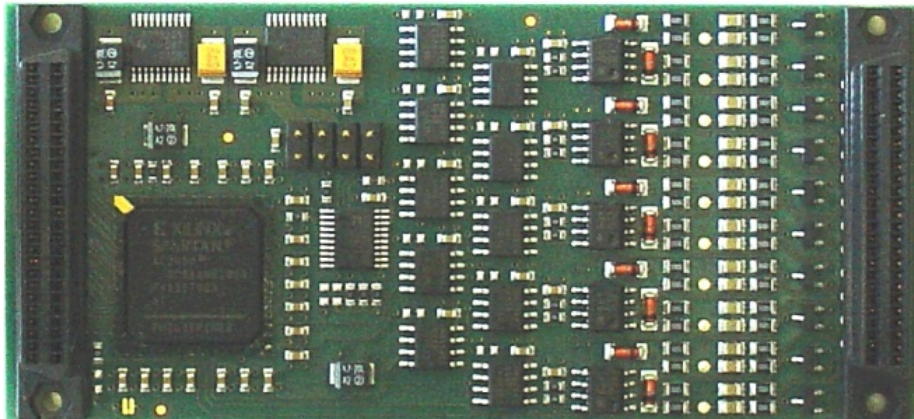


TIP115 5 Channel SSI Interface with 'Listen Only' Mode



Application Information

The TIP115 is an IndustryPack® compatible module for motion control applications.

The TIP115 offers five independent channels. Each of these channels can be operated as a standard SSI interface controller or in a 'Listen only' mode.

The standard SSI interface controller outputs a clock burst to the absolute encoder and receives the returned positional data. The SSI interface controller operates with a programmable clock rate from 1µs to 15µs and programmable data word length from 1 bit to 32 bit.

In 'Listen only' mode the channel listens to an existing SSI interface to observe its data transfer. It takes both the SSI clock and data as inputs. In 'Listen only' mode the channel also has a programmable data word length from 1 bit to 32 bit; the SSI clock rate of the observed SSI interface can be in the range of 1µs to 15µs.

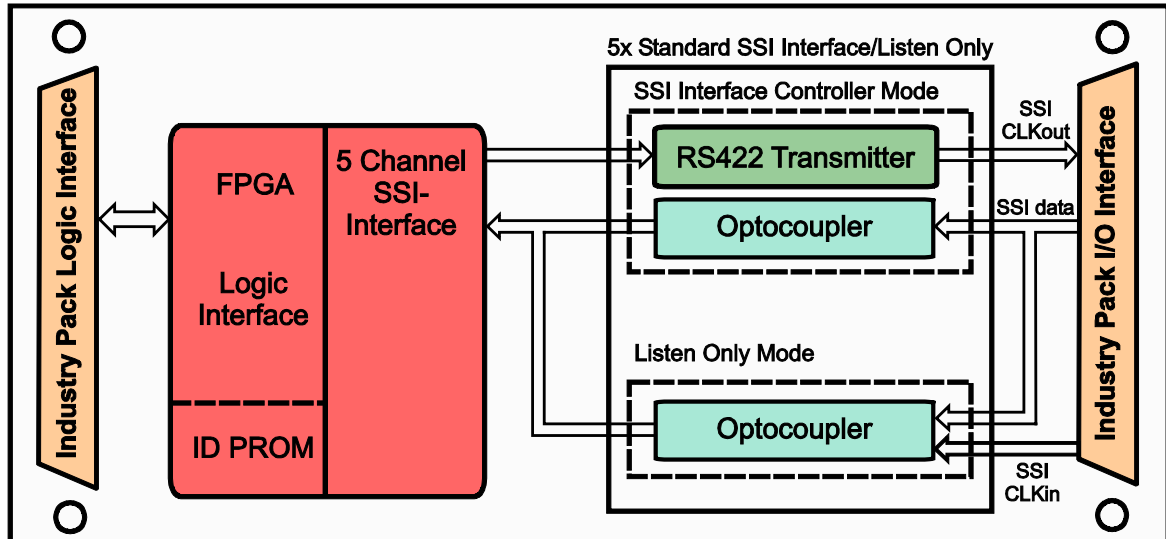
In both modes the data word can be encoded in Binary- or in Gray-Code and with odd, even or no parity.

The data inputs are galvanically isolated by high speed optocouplers. The level of the input and output signals is RS422.

Software support (TIP115-SW-xx) is available for different operating systems.

Technical Information

- Interface according to IndustryPack specification
- Single Size IndustryPack
- 5 Channel synchronous serial interface (SSI) with two modes:
 - Standard SSI Interface Controller
 - 'Listen only' Mode
- SSI data word length programmable from 1 bit to 32 bit
- Data word encoding: Binary- or Gray-Code
- Parity: Odd, even or without
- SSI clock rate: 1µs – 15µs
- EIA-422 encoder inputs galvanically isolated by high speed optocouplers
- Fault protected differential clock drivers with additional TVS array
- Operating temperature -40°C to +85°C
- MTBF (MIL-HDBK217F/FN2 G_B 20°C)
TIP115-10R: 444000 h



Order Information

RoHS Compliant

TIP115-10R 5 Channel Absolute Encoder (SSI) Interface, supports 'Listen Only' Mode

For the availability of non-RoHS compliant (lead solder) products please contact TEWS.

Documentation

TIP115-DOC User Manual

Software

TIP115-SW-42 VxWorks Software Support (Legacy and VxBus-Enabled Software Support)

TIP115-SW-65 Windows Software Support

TIP115-SW-82 Linux Software Support

TIP115-SW-95 QNX Software Support

For other operating systems please contact TEWS.