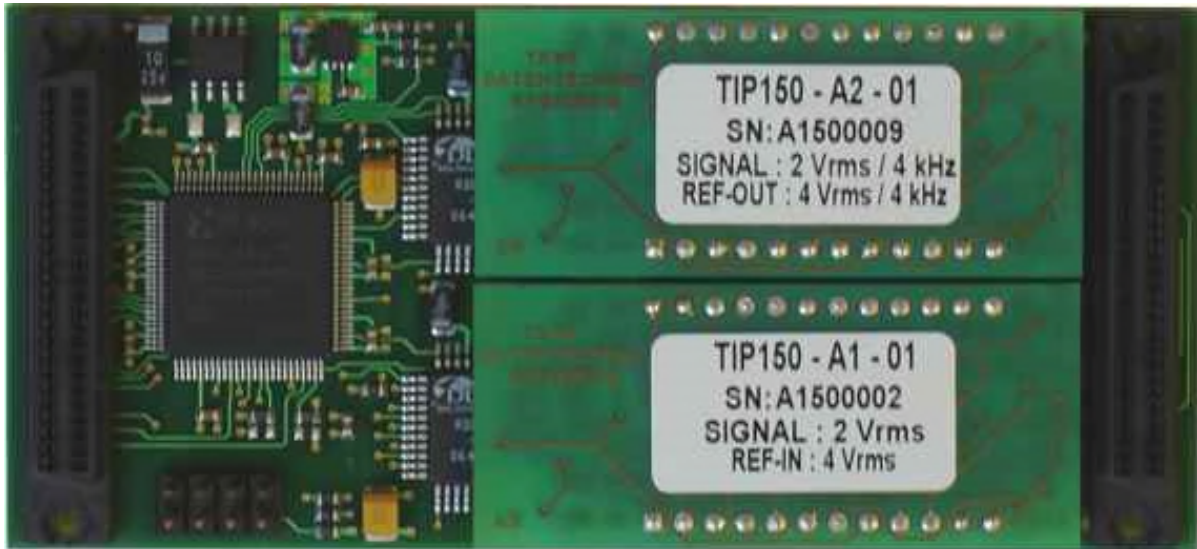


TIP150 2 Channel Synchro / Resolver-To-Digital-Converter



Application Information

The TIP150 is an IndustryPack® compatible module providing two channels of a tracking synchro / resolver-to-digital converter. The resolution programming allows selection of 10, 12, 14 or 16 bit conversion. This combines the high tracking rate of a 10 bit converter with the precision of a 16 bit converter.

Two converter accuracy options are available:

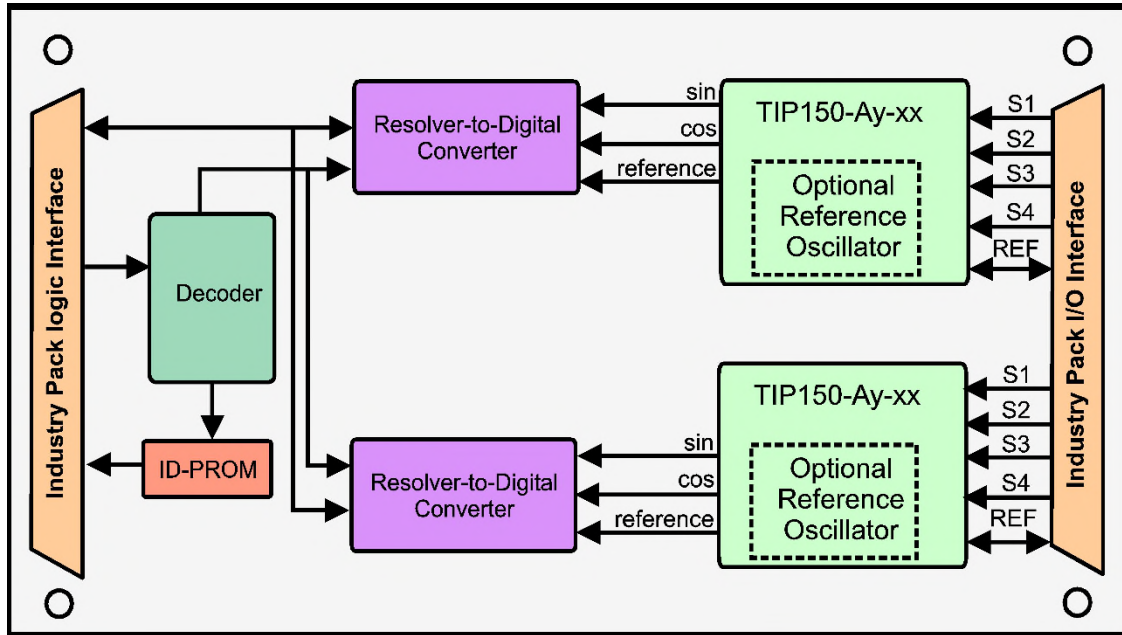
TIP150-40R with 4 arcmin +1LSB converter accuracy and TIP150-41R with 2 arcmin +1LSB converter accuracy.

The customer specific signal conditioning adapter (TIP150-Ay-xx) per channel provides an easy interface to different types of synchro and resolvers. For highest accuracy the on-board reference oscillator of the signal conditioning adapters TIP150-A2-xx and TIP150-A4-xx automatically compensates the phase error generated by the synchro / resolver.

Software support (TIP150-SW-xx) is available for different operating systems.

Technical Information

- Interface according to IndustryPack specification
- Identification-PROM supports auto-configuration
- Single Size IndustryPack
- Two channel Tracking Synchro/Resolver-To-Digital-Converter
- Programmable resolution 10, 12, 14 or 16 bits
- Adjustable bandwidth
- Converter accuracy 4 or 2 arcmin + 1LSB
- Velocity output and built-in-test output
- Individual input voltage for each channel by matching signal conditioning adapter
- Optional reference oscillator for each channel on signal conditioning adapter
- Reference oscillator frequency factory selectable 2 - 10KHz
- Reference oscillator output level 11.8Vrms maximum
- Resolver phase error compensation



Order Information

RoHS Compliant

- TIP150-40R** 2 x Synchro / Resolver Interface, 4 arcmin, TIP150-Ay-xx per channel required
- TIP150-41R** 2 x Synchro / Resolver Interface, 2 arcmin, TIP150-Ay-xx per channel required
- TIP150-A1-xxR** Resolver Signal Conditioning Adapter
- TIP150-A2-xxR** Resolver Signal Conditioning Adapter with Reference Oscillator

For the availability of non-RoHS compliant (lead solder) products please contact TEWS.

Non-RoHS compliant

- TIP150-A3-xx** High Precision Synchro / Resolver Signal Conditioning Adapter
- TIP150-A4-xx** High Precision Synchro / Resolver Signal Conditioning Adapter with Reference Oscillator

Documentation

- TIP150-DOC** User Manual

Software

- TIP150-SW-42** VxWorks Software Support (Legacy and VxBus-Enabled Software Support)
- TIP150-SW-65** Windows Software Support
- TIP150-SW-82** Linux Software Support
- TIP150-SW-95** QNX Software Support

For other operating systems please contact TEWS.