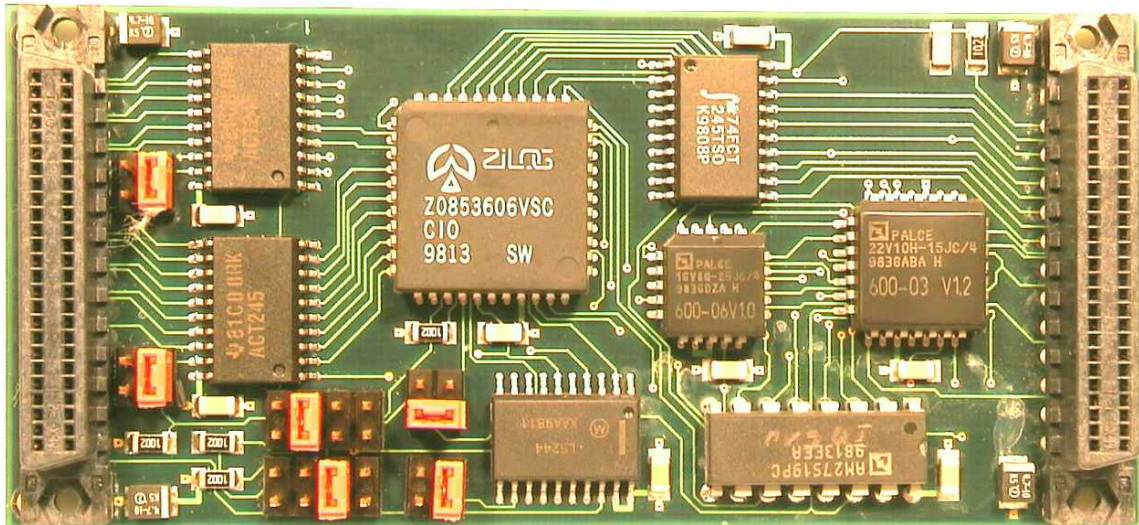


TIP610 16/20 Channel TTL I/O



Application Information

The TIP610 is an IndustryPack® compatible module with a TTL compatible I/O interface based on the Zilog Z8536 CIO, a counter/timer and parallel I/O device. The TIP610 implements two independent 8 bit, double-buffered, bidirectional I/O ports, plus a 4 bit special-purpose I/O port.

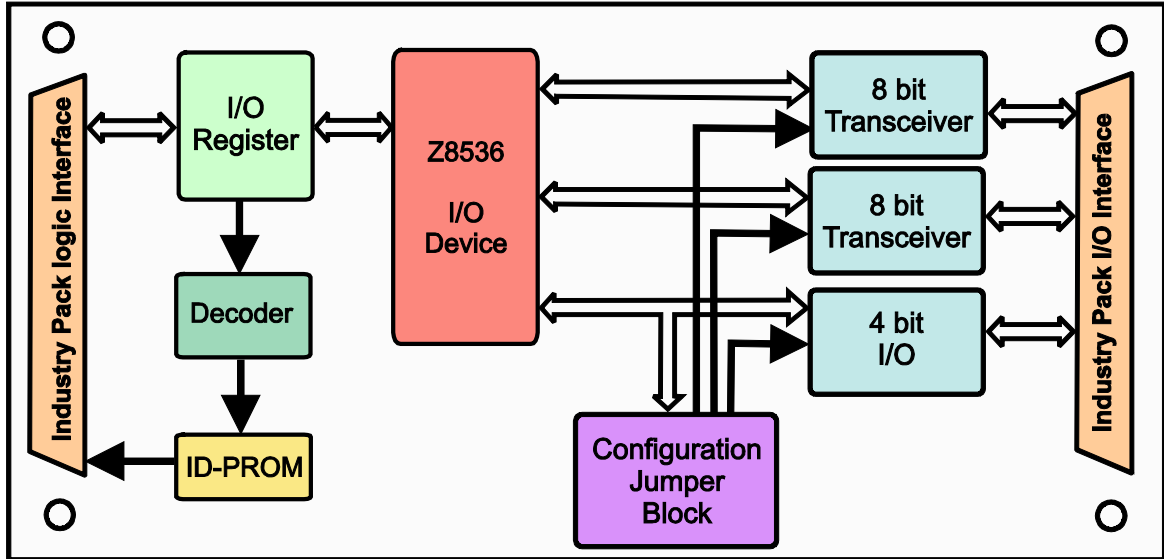
The Z8536 CIO allows configuring each of the two 8 bit ports as input or output. The third I/O port can be configured as I/O or as handshake-control-port.

A configuration jumper block permits to configure the two I/O ports as permanent or programmable input/output. Also the 4 bit port function is configured by these jumpers.

Software Support (TIP610-SW-xx) is available for different operating systems.

Technical Information

- Interface according to IndustryPack specification
- Identification-PROM supports auto-configuration
- Single Size IndustryPack
- 16/20 Channel TTL I/O arranged as two 8 bit I/O ports plus a 4 bit control port
- 24mA source/sink drive per line for the two 8bit I/O ports
- Zilog Z8536 I/O Controller on board
- Operating temperature 0°C to +70°C



Order Information

RoHS Compliant

TIP610-10R 16/20 TTL I/O, Z8536

For the availability of non-RoHS compliant (lead solder) products please contact TEWS.

Documentation

TIP610-DOC User Manual

Software

TIP610-SW-42 VxWorks Software Support (Legacy and VxBus-Enabled Software Support)

TIP610-SW-65 Windows Software Support

TIP610-SW-82 Linux Software Support

TIP610-SW-95 QNX Software Support

For operating systems please contact TEWS.