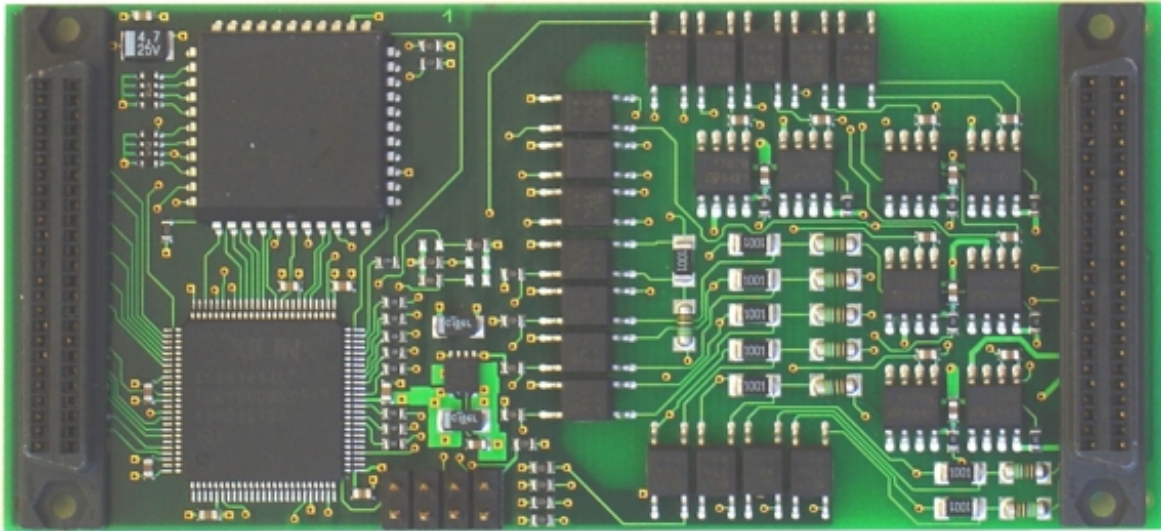


### TIP670 8 (4) Digital Inputs, 8 (4) Digital Outputs



#### Application Information

The TIP670 is an IndustryPack® compatible module with 8 (4) digital inputs galvanically isolated by optocoupler. The individual inputs are potential free in relation to each other. A high performance input circuit ensures a defined switching point and polarization protection against confusing the pole.

All inputs have an electronic debounce circuit with fixed debounce time. All inputs can generate an interrupt. The signal edge handling is programmable. For systems with particularly fast reaction, each input can be assigned its own interrupt vector.

The TIP670 has 8 (4) digital outputs with galvanic isolation via optocouplers. The outputs are isolated against each other in groups of two. All outputs resist short-circuits and are protected against thermal overload.

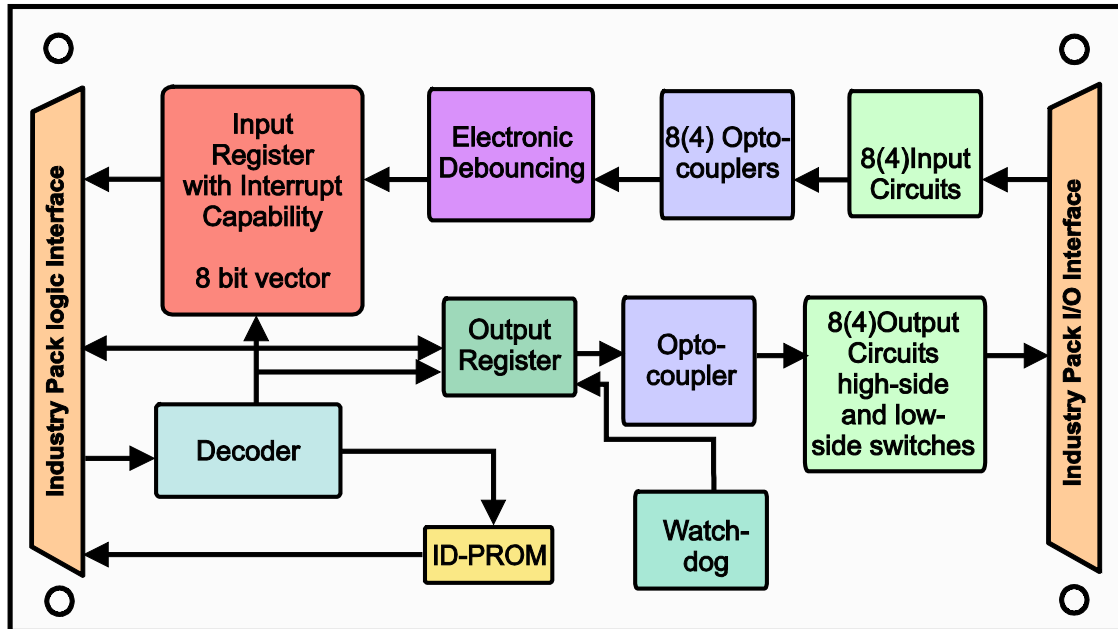
The output drivers are capable of driving 0.5A continuous per channel. Each output can be configured individually as high or low side switch.

The driver software TIP670-SW-xx provides functions to configure the TIP670, read the input status, write the output status and connect software events to input state changes.

Software Support (TIP670-SW-xx) is available for different operating systems.

#### Technical Information

- Interface according to IndustryPack specification
- Identification-PROM supports auto-configuration
- Single Size IndustryPack
- 8 (4) interrupt generating digital inputs
- 24V signal voltage for inputs
- Optocouplers for galvanic isolation of input to computer system
- All inputs isolated against each other
- All inputs protected against confusing the pole
- All inputs have an electronic debounce circuit with fixed debounce time
- 8 (4) digital outputs, high and low side switches
- 24V signal voltage, current per output 0.5A
- Optocouplers for galvanic isolation of outputs to computer system
- Outputs are short-circuit protected
- Outputs are isolated against each other in groups of two
- Outputs protected against thermal overload
- Watch dog timer resets all channels in case of triggering failure



## Order Information

### RoHS Compliant

**TIP670-10R** 8 Dig. Input (24V, isolated), 8 Digital Outputs (isolated, High Side or Low Side, 24V 0.5A)  
**TIP670-20R** 4 Digital Input, 4 Digital Output IP

For the availability of non-RoHS compliant (lead solder) products please contact TEWS.

### Documentation

**TIP670-DOC** User Manual

### Software

**TIP670-SW-42** VxWorks Software Support (Legacy and VxBus-Enabled Software Support)  
**TIP670-SW-65** Windows Software Support  
**TIP670-SW-82** Linux Software Support  
**TIP670-SW-95** QNX Software Support

For other operating systems please contact TEWS.