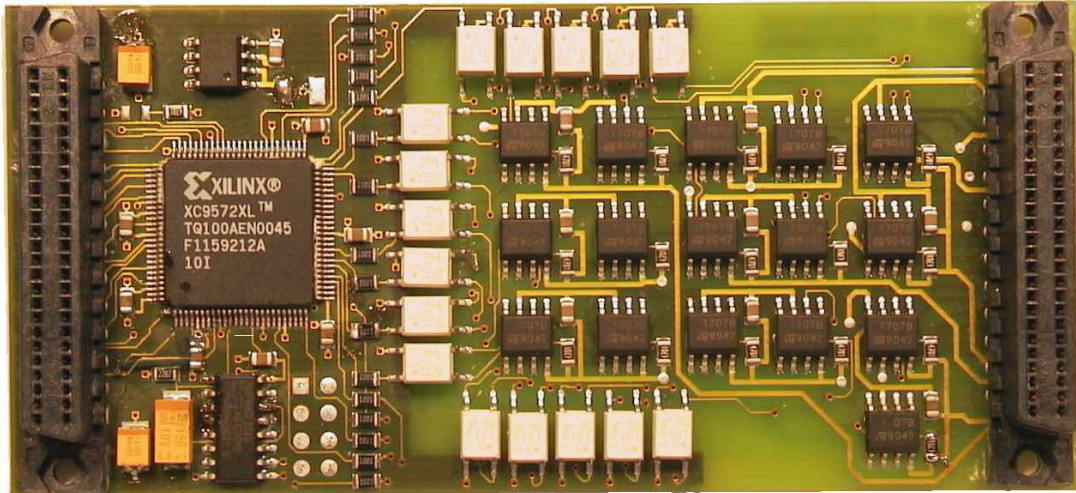


TIP700 16 (8) Digital Outputs, high and low side switches



Application Information

The TIP700 is an IndustryPack® compatible module providing 16 (8) digital outputs with galvanic isolation via optocouplers. The outputs are isolated against each other in groups of two.

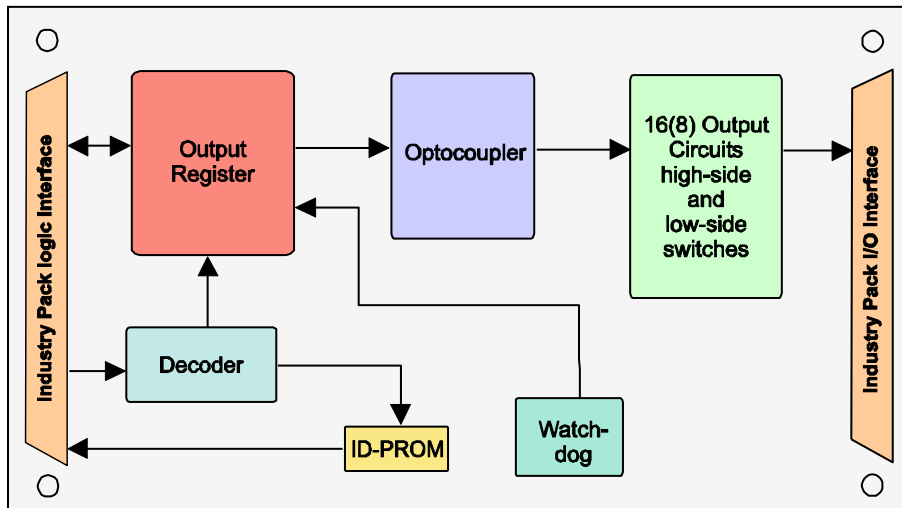
All outputs resist short-circuits and are protected against thermal overload. The outputs are capable of driving 0.5A

per channel. Each output can be configured individually as high or low side switch.

Software Support (TIP700-SW-xx) is available for different operating systems.

Technical Information

- Interface according to IndustryPack specification
- Identification-PROM supports auto-configuration
- Single Size IndustryPack
- 16 (8) digital outputs, high and low side switches
- 24V signal voltage, current per output 0.5A
- Optocouplers for galvanic isolation of outputs to computer system
- Outputs are isolated against each other in groups of two
- Outputs are short-circuit protected
- Outputs protected against thermal overload
- Watchdog timer resets all channels in case of triggering failure



Order Information

RoHS Compliant

TIP700-10R 16 Digital Outputs, isolated, High Side or Low Side, 24V 0.5A

TIP700-20R 8 Digital Outputs, isolated, High Side or Low Side, 24V 0.5A

For the availability of non-RoHS compliant (lead solder) products please contact TEWS.

Documentation

TIP700-DOC User Manual

Software

TIP700-SW-42 VxWorks Software Support (Legacy and VxBus-Enabled Software Support)

TIP700-SW-65 Windows Software Support

TIP700-SW-82 Linux Software Support

TIP700-SW-95 QNX Software Support

For other operating systems please contact TEWS.