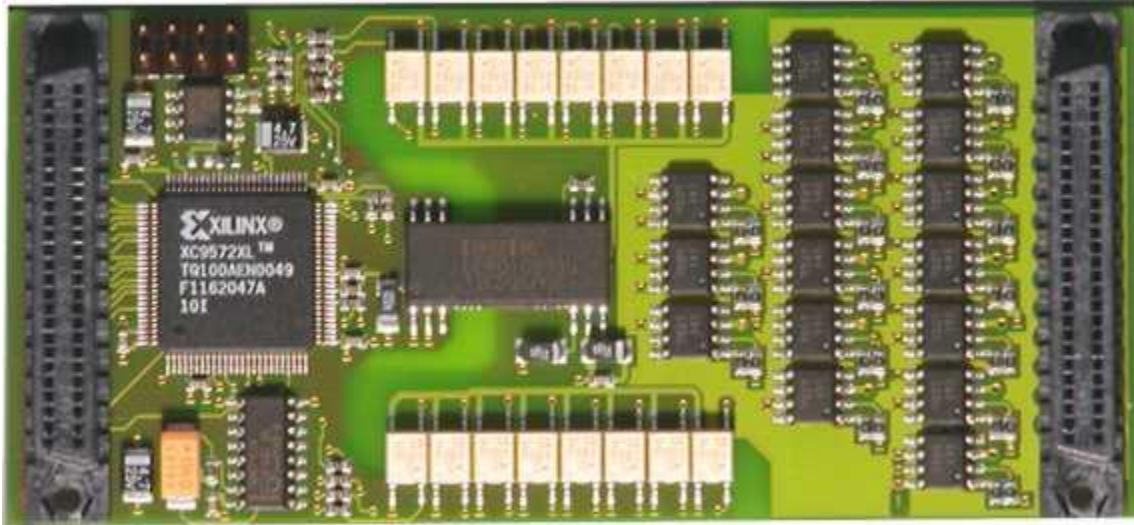


TIP710 16 Digital Outputs, High Side Switch



Application Information

The TIP710 is an IndustryPack® compatible module providing 16 digital outputs configured as high side switch with galvanic isolation via optocouplers.

The TIP710 directly controls up to 16 lines of all kinds of resistive, capacitive and inductive loads.

The outputs are capable of driving 1A continuous per channel at an external supply voltage of 6V to 48V.

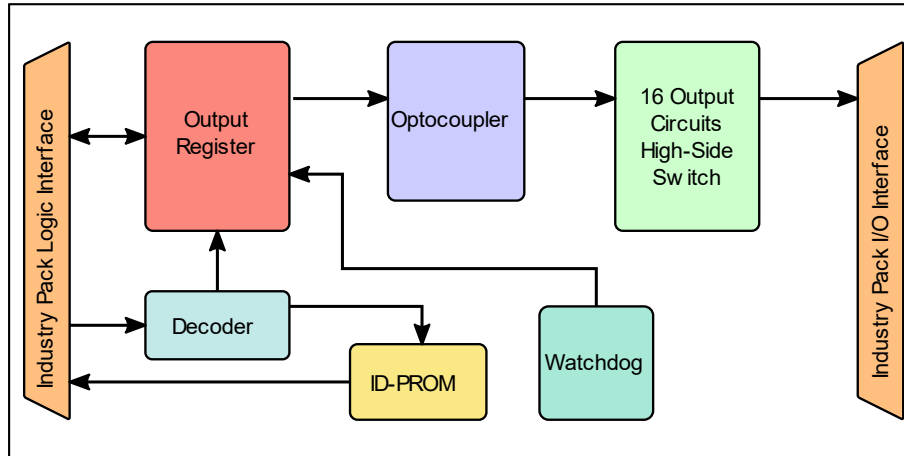
All outputs resist short-circuits and are protected against thermal overload.

After power-on or reset all channels are in the off state. A hardware watchdog clears all outputs in case of trigger failure.

Software Support (TIP710-SW-xx) is available for different operating systems.

Technical Information

- Interface according to IndustryPack specification
- Identification-PROM supports auto-configuration
- Single Size IndustryPack
- 16 digital outputs, high side switches
- Output signal voltage 6V to 48V, common to all outputs, externally supplied
- Output current: 1A continuous per channel
- Optocouplers for galvanic isolation of outputs to computer system
- Outputs are short-circuit protected
- Outputs protected against thermal overload
- Watchdog timer resets all channels in case of triggering failure
- Operating temperature range -40°C to $+85^{\circ}\text{C}$



Order Information

RoHS Compliant

TIP710-10R 16 Digital Outputs, isolated, High Side, 6V-48V 1.0A

For the availability of non-RoHS compliant (lead solder) products please contact TEWS.

Documentation

TIP710-DOC User Manual

Software

TIP710-SW-42 VxWorks Software Support (Legacy and VxBus-Enabled Software Support)

TIP710-SW-65 Windows Software Support

TIP710-SW-82 Linux Software Support

TIP710-SW-95 QNX Software Support

For other operating systems please contact TEWS.