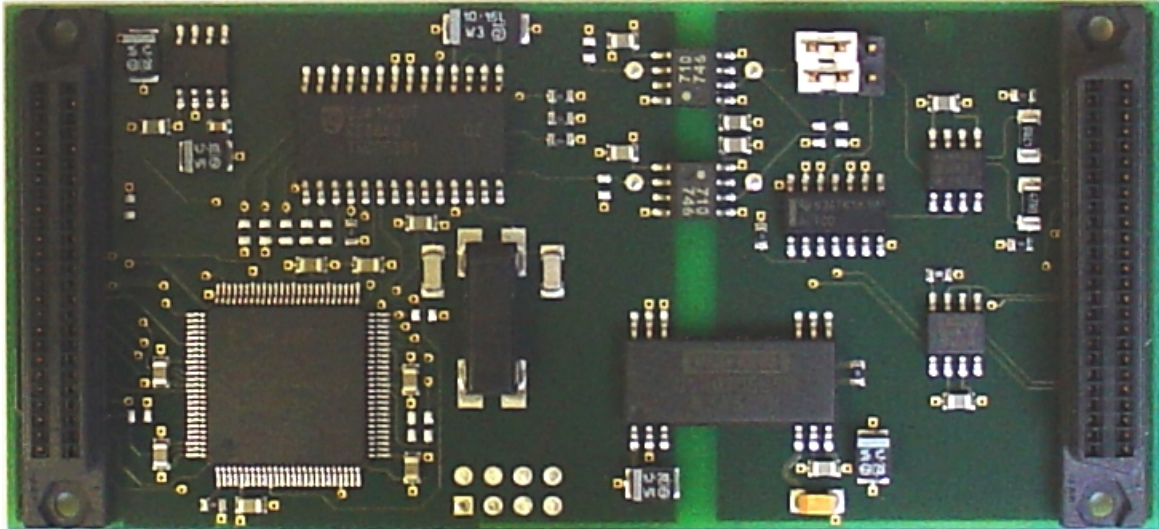


TIP810 CAN Bus IP



Application Information

The TIP810 is an IndustryPack® compatible module with a complete CAN bus interface using the Philips SJA1000 CAN controller. The Philips SJA1000 CAN controller is a stand-alone controller for the Controller Area Network (CAN) used within automotive and general industrial environments.

It is the successor of the PCA82C200 CAN controller (Basic CAN) from Philips Semiconductors which was used on the TIP810-10R V1.0. Additionally, a new mode of operation (PeliCAN) is implemented on the SJA1000 which supports the CAN 2.0B protocol specification with several new features. The SJA1000 has the capability to transmit, receive and perform message filtering on standard and extended messages.

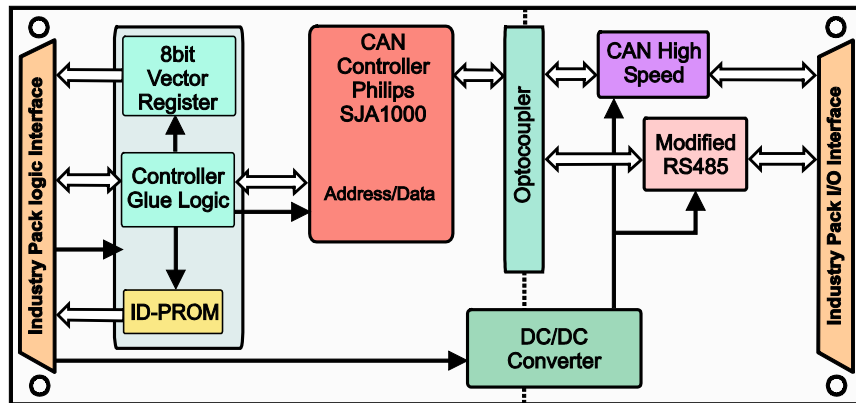
The TIP810 supports an 8 bit bus interface which permits byte accesses to the internal registers of the SJA1000 controller. The physical interface supports both, CAN high-speed (according to ISO11898) and modified RS485. Both physical interfaces are optically isolated from the CAN controller. An on board DC/DC converter supplies the isolated parts of the TIP810.

The CAN Software Support TIP810-SW-xx provides functionality to route CAN messages to dedicated processes.

Software Support (TIP810-SW-xx) is available for different operating systems.

Technical Information

- Interface according to IndustryPack specification
- Identification-PROM supports auto-configuration
- Single Size IndustryPack
- CAN bus interface based on Philips SJA1000 controller
- Physical interface: CAN High Speed (according to ISO 11 898) and modified RS485
- Physical interface optically isolated from CAN controller
- On board DC/DC converter
- Maximum transfer rate 1 Mbit/s (bus length up to 40 m)



Order Information

RoHS Compliant

TIP810-10R 1 x solated CAN Bus based on Philips SJA1000, ISO11898 CAN High Speed or RS485

For the availability of non-RoHS compliant (lead solder) products please contact TEWS.

Documentation

TIP810-DOC User Manual

Software

TIP810-SW-42 VxWorks Software Support (Legacy and VxBus-Enabled Software Support)

TIP810-SW-65 Windows Software Support

TIP810-SW-82 Linux Software Support

TIP810-SW-95 QNX Software Support

For other operating systems please contact TEWS.