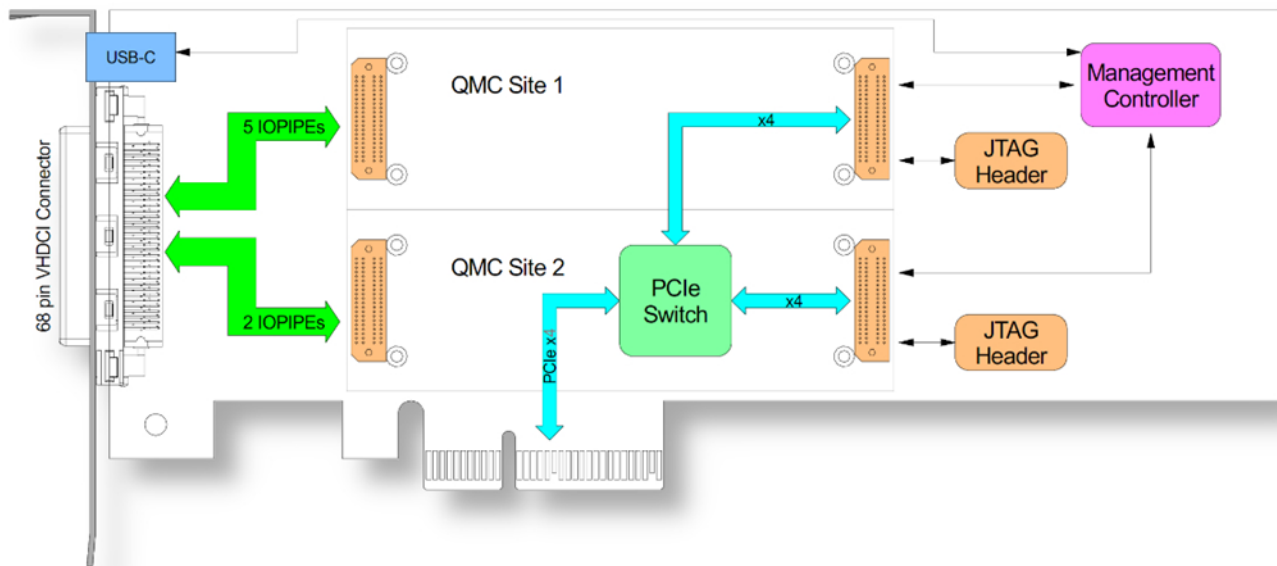




### Technical Information

- Form Factor: PCI Express x4 Revision 2.0
  - Board size: low-profile, half-length (167.65 x 68.9 mm)
  - PCIe Speed: max. 5GT/s (dependent on the mounted QMC modules)
- Two single QMC sites:
  - PCIe Interface x4, Rev. 2.0
  - Front-panel I/O access via VHDCI-68
  - Unique header with JTAG Signals routed to each QMC connector
- Management Controller
  - QMC FRU EEPROM and sensor access
  - Surveillance of QMC health status
  - Operating temperature -40 °C to +85 °C
  - MTBF (MIL-HDBK217F/FN2 GB 20 °C)
    - TPCE210-10R: 319000h



Block Diagram

### Order Information

#### RoHS Compliant

**TPCE210-10R** 2 Site QMC Carrier, PCIe x4, Gen2, low-profile, VHDCI-68 I/O

For the availability of non-RoHS compliant (lead solder) products please contact TEWS.

#### Related Products

**TA307** Cable Kit for Modules with VHD68 / SCSI-V Connector