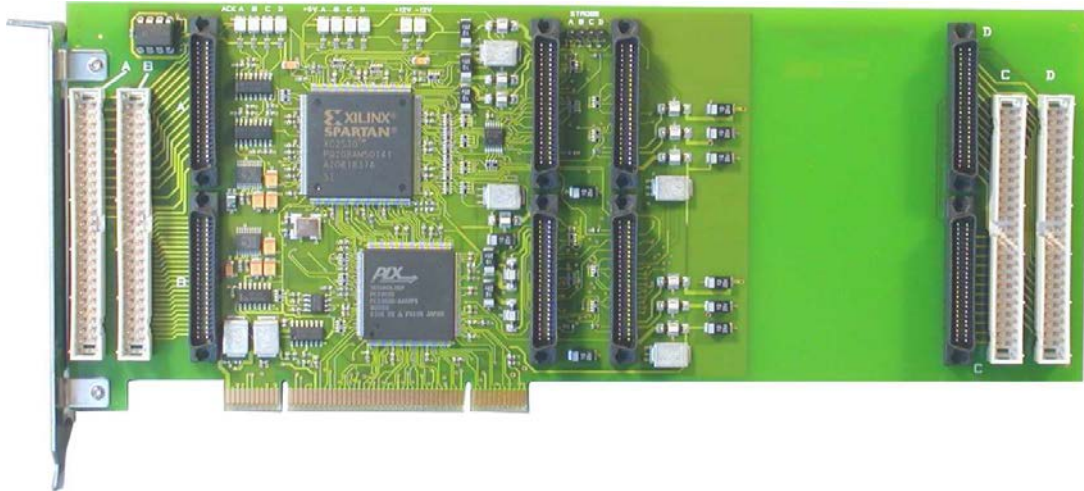


TPCI200 PCI Carrier for 4 Industry Packs®



Application Information

The TPCI200 is a standard 33 MHz 32 bit PCI Carrier for up to four single-size or two double-size IndustryPack (IP) modules used to build modular, flexible and cost effective I/O solutions for applications in process control, medical systems, telecommunication and traffic control.

Four 50 pin 0.1 inch flat ribbon cable connectors provide access to all IP I/O lines. Status indicators for IP access, +5V and +/-12V are provided.

The TPCI200 can operate with 3.3V and 5.0V PCI I/O signaling voltage for I/O. This guaranties compatibility with nearly all PC mainboards. 3.3V required by on board logic is generated locally.

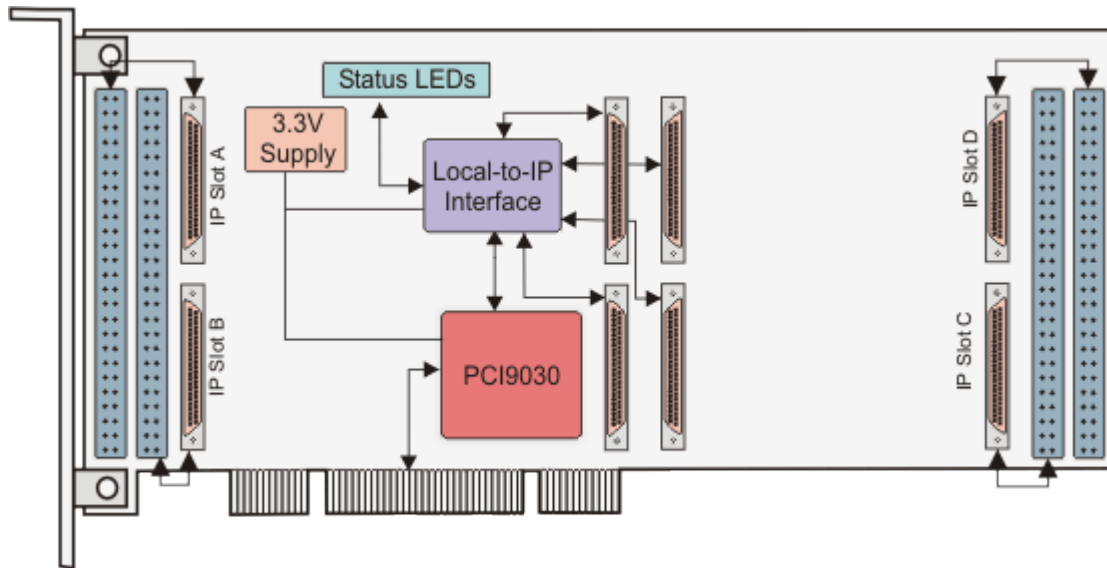
All IP interrupt request lines are mapped to PCI INTA. For fast interrupt source detection, the TPCI200 provides a special IP interrupt status register.

The IP power lines are fuse protected by self healing fuses and RF filtered. The operating temperature range is -40°C to +85°C.

Software Support (CARRIER-SW-xx) for different operating systems is available.

Technical Information

- PCI Card Interface
 - PCI 2.2 compliant interface
 - Size: 107 mm x 270 mm
 - PCI I/O signaling voltage: 3.3V or 5.0V
- ANSI/VITA 4-1995 compliant interface to IndustryPack modules
 - IndustryPack slots: Four single-size or two double-size
 - 8/32 MHz interface, no DMA
 - 8 Mbyte memory space per IP
 - Routing of all IP interrupts to PCI INTA, local interrupt status register
- I/O access: 50 pin 0.1 inch flat ribbon cable connector per IP
- Status LED's
 - ACK LED for each IP module
 - +5V Power LED for each IP slot
 - +12V and -12V Power LED
- Self Healing fuses and RF-filtering on all IP power lines
- Operating temperature -40°C to +85°C



Order Information

RoHS Compliant

TPCI200-10R 4 Slot IndustryPack Carrier, 50 pin ribbon cable connectors

For the availability of non-RoHS compliant (lead solder) products please contact TEWS.

Documentation

TPCI200-DOC User Manual

Software

CARRIER-SW-42 VxWorks Software Support (Legacy and VxBus-enabled Software Support)

CARRIER-SW-65 Windows IP Carrier Software Support

CARRIER-SW-82 Linux IP Carrier Software Support

CARRIER-SW-95 QNX IP Carrier Software Support

For other operating systems please contact TEWS.

Related Products

TA305 Cable Kit for modules with 50 pin ribbon cable connector