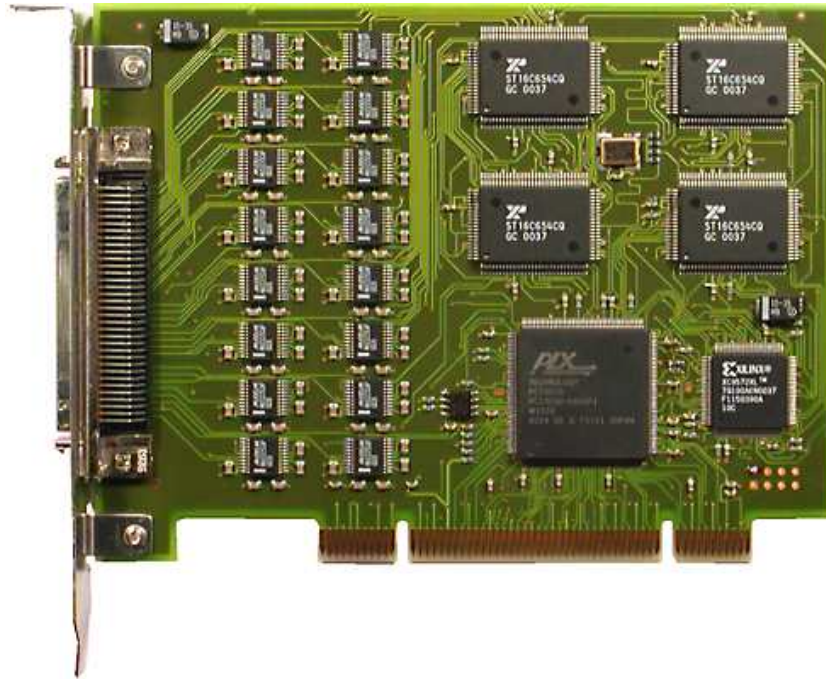


TPCI868 16 Channel Asynchronous Serial Interface



Application Information

The TPCI868 is a standard 33 MHz 32 bit PCI module and provides 16 asynchronous RS232 serial interface channels. The TPCI868 requires the 3.3V PCI power supply and operates in a 3.3V or 5.0V PCI I/O voltage environment.

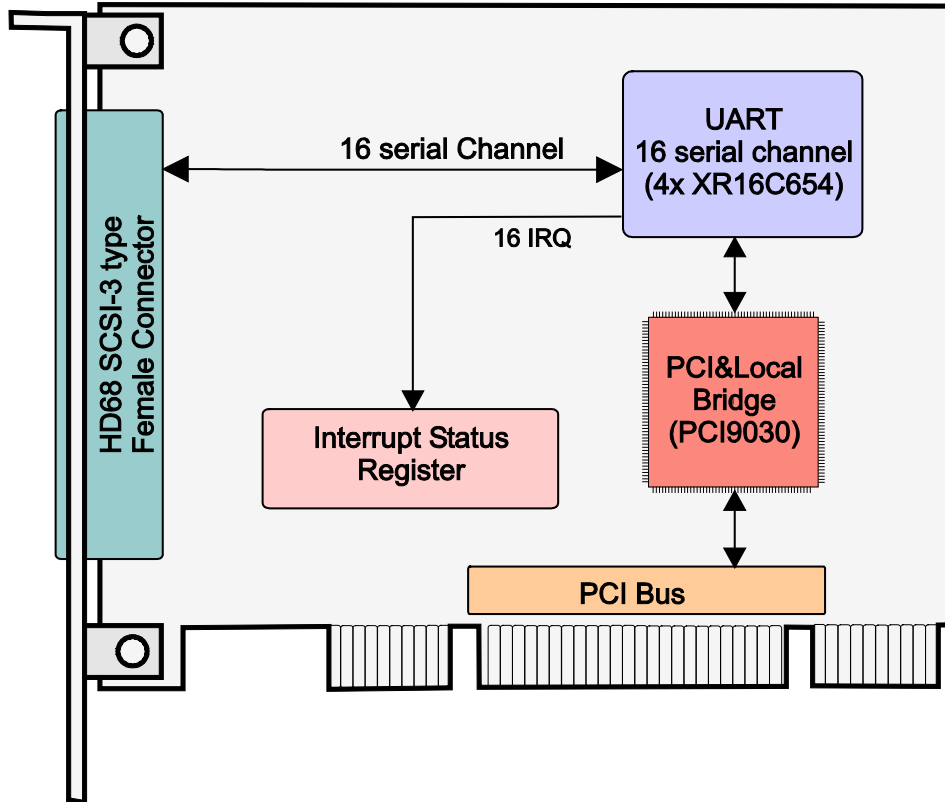
The module uses a 14.7456 MHz crystal oscillator which allows baud rates up to 921.6 kbaud. All 16 serial channels can generate interrupts on the PCI bus. The interrupt status information can be accessed via the 16 bit wide interrupt status register.

For the serial interface the signals TxD, RxD, RTS#, CTS# and GND are available on the HD68 front panel connector. A 10-pin JTAG header is available for XMC module debugging purposes. All five JTAG signals are routed directly to the XMC slot.

Software Support (TPCI868-SW-xx) for different operating systems is available.

Technical Information

- PCI Card Interface
- PCI 2.2 compliant interface
- 3.3V and 5V PCI Signaling Voltage
- Size: 102 mm x 135 mm
- 16 channel asynchronous RS232 serial interface
- Both 3.3V and 5.0V PCI I/O voltage support
- Support of TxD, RxD, RTS#, CTS# and GND per channel
- Baud rates up to 921.6 kbaud
- HD68 SCSI-3 type female connector



Order Information

RoHS Compliant

TPCI868-10R 16 Channel Serial RS232, HD68

For the availability of non-RoHS compliant (lead solder) products please contact TEWS.

Documentation

TPCI868-DOC User Manual

Software

TPCI868-SW-25 Integrity Software Support

TPCI868-SW-42 VxWorks Software Support (Legacy and VxBus-Enabled Software Support)

TPCI868-SW-65 Windows Software Support

TPCI868-SW-82 Linux Software Support

TPCI868-SW-95 QNX Software Support

For other operating systems please contact TEWS.

Related Products

TA304 Cable Kit for modules with HD68 connector