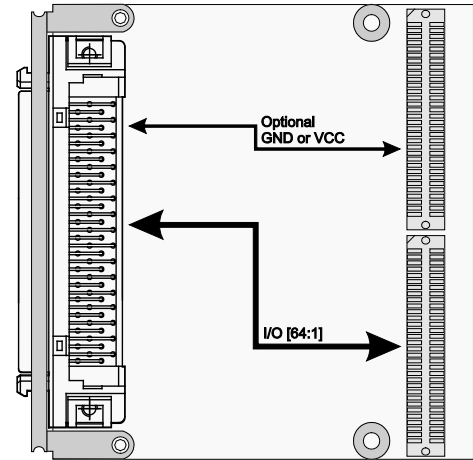
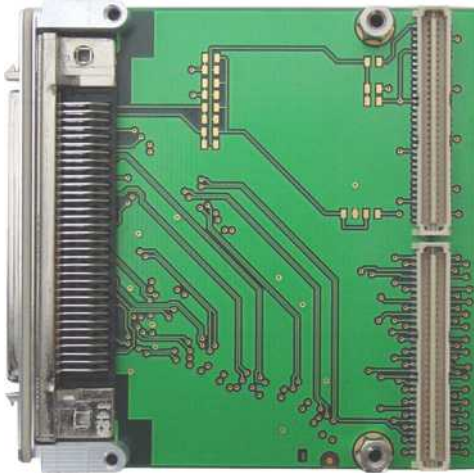


TPIM005 PIM I/O Module with 68 pin Connector



Application Information

The TPIM005 is a standard single-width PIM I/O module to be used with any PIM Carrier like TEWS' TCP020-TM-10R, TVME020-TM-10R or others. It offers easy access to the PMC back I/O lines of PMC carriers with back I/O like TEWS TCP260 or TVME8400.

The TPIM005 distributes all 64 PMC back I/O lines to a 68 pin SCSI-3 type connector located in the EMI front panel. The routing and I/O signal mapping of the TPIM005 is optimized for differential pair routing.

The TPIM005 recreates the PMC front I/O signal mapping in its 68 pin SCSI-3 type connector when used with the TPMC862/TPMC863 or TPMC362 /TPMC363. Refer to the TPMC Data Sheet to find out if the TPIM005 recreates the PMC front I/O signal mapping in its 68 pin SCSI-3 type connector.

The operating temperature is -40°C to +85°C.

Technical Information

- Standard single-width PIM I/O Module
- Board size: 69 mm x 74 mm
- I/O lines are routed to a HD68 SCSI-3 type connector in the front panel
- EMI Front Panel
- Operating Temperature: -40°C to +85°C

Order Information

RoHS Compliant

TPIM005-10R PIM I/O Module, HD68 connector, for TPMC863/TPMC363

For the availability of non-RoHS compliant (lead solder) products please contact TEWS.

Documentation

TPIM005-DOC User Manual