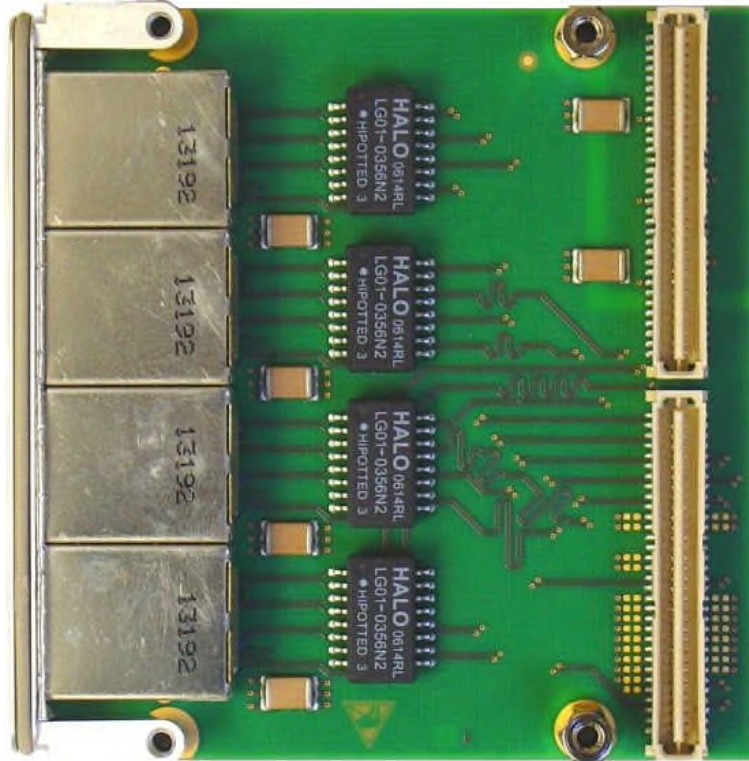


TPIM007 PIM for Gigabit Ethernet XMCs



TPIM007-10R

Application Information

The TPIM007 is a PMC I/O Module (PIM) compatible module providing easy access to the XMC back I/O lines of XMC carriers when used on a PIM carrier.

The TPIM007 distributes the Ethernet signals of TEWS' Gigabit Ethernet XMC modules with P16 back I/O to RJ45 connectors located in the front panel of the PIM module.

Impedance mismatches, caused by CMC connectors and backplane connectors, lead to signal distortion of the Ethernet signals. To reduce these effects, the routing on the TPIM007 is optimized for differential Ethernet signals.

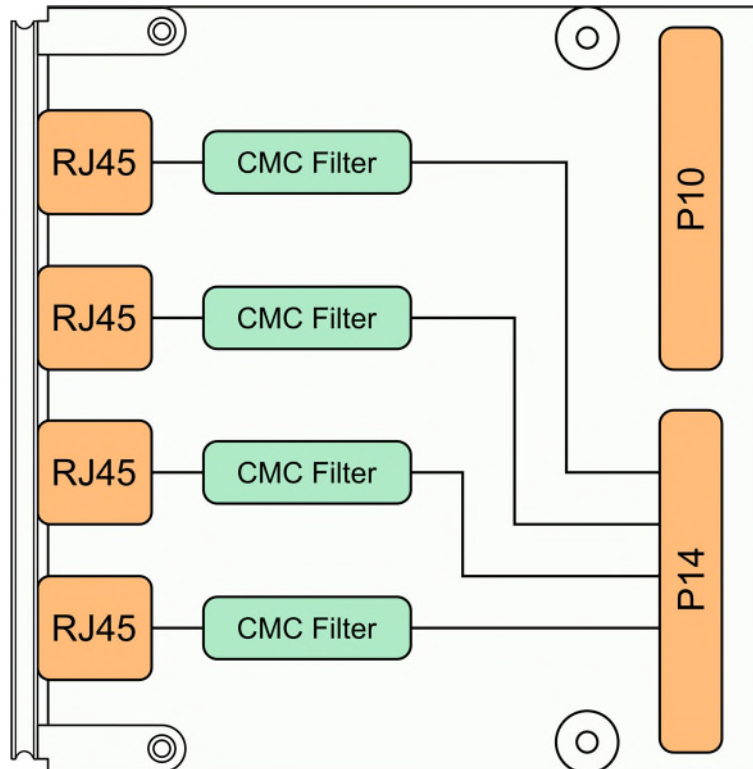
Additionally, common mode choke filters are placed into the Ethernet signal lines to improve signal quality by suppressing common mode noise on the Ethernet signal lines.

The TPIM007-10R reproduces the front I/O signal mapping of TEWS' four channel 10/100/1000 Mbit/s Ethernet adapter XMC in its RJ45 connectors when used with the TXMC395-10R for example.

The module meets the requirements to operate in extended temperature range from -40°C to +85°C.

Technical Information

- Form Factor: Standard single-width PIM module conforming to VITA 36 – 199X Draft 0.1
 - Board size: 69 mm x 74 mm
- Four RJ45 connectors
- Operating temperature -40°C to +85°C
- MTBF (MIL-HDBK217F/FN2 G_B 20°C) TPIM007-10R: 667000 h



Order Information

RoHS Compliant

TPIM007-10R PIM for four Channel 10/100/1000 Mbit/s Ethernet XMCs, RJ45

For the availability of non-RoHS compliant (lead solder) products please contact TEWS.

Documentation

TPIM007-DOC User Manual