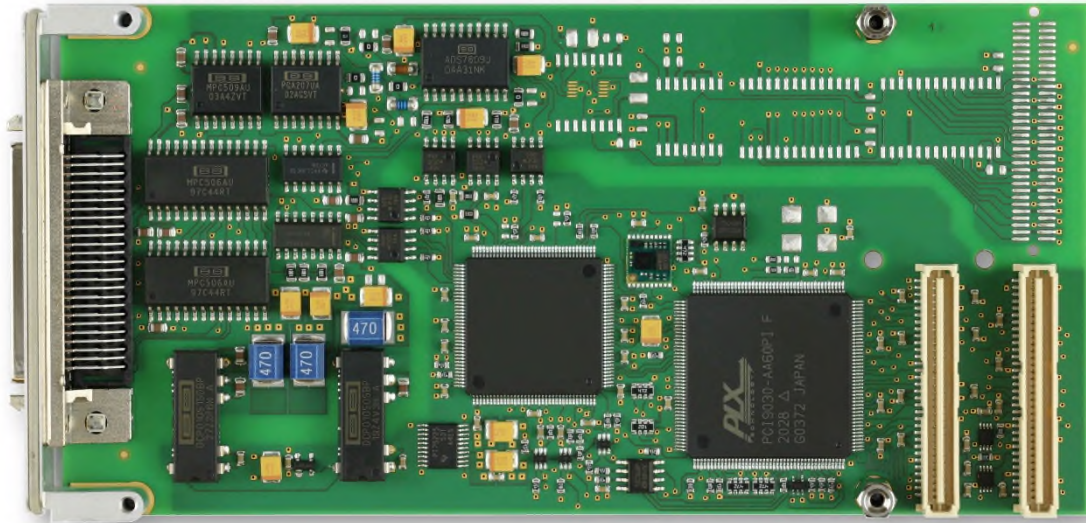


TPMC501 32 Channels of Isolated 16 bit A/D



Application Information

The TPMC501 is a PCI Mezzanine Card compatible module providing 32 galvanically isolated multiplexed 16 bit ADC channels. The data acquisition and conversion time is mode-dependent: Maximum 12 μ s without channel / gain change, maximum 14.5 μ s with channel / gain change.

The ADC input channels can be software configured to operate in single-ended mode (up to 32 input channels) or differential mode (up to 16 input channels). Mixed mode operation is also possible.

The ADC multiplexer is overvoltage protected up to 70Vpp. A programmable gain amplifier allows gains of 1, 2, 5, 10 (TPMC501-10R, -12R, -20R and -22R) or 1, 2, 4, 8 (TPMC501-11R, -13R, -21R and -23R). The full-scale input voltage range for a gain of 1 is +/-10V for the TPMC501-10R, -11R, -20R, -21R and 0V to 10V for the TPMC501-12R, -13R, -22R, -23R.

Additionally the TPMC501 provides a sequencer to control the analog inputs without wasting CPU time. Each channel can be independently enabled and configured by a sequencer instruction RAM.

After the last instruction of a programmed sequence has completed the ADC data of all channels enabled for the sequence are stored in the data RAM.

The repeat frequency of the sequencer can be programmed by using the sequence timer. The sequence timer is programmable from 100 μ s to 6.5535s in steps of 100 μ s. Whenever the timer reaches the programmed value the sequencer starts a new sequence. A special function is the sequencer continuous mode. It is activated, if the sequence timer register is set to 0. In this mode the sequencer will start again with the first instruction of the sequence as soon as the last instruction of the previous sequence has been completed.

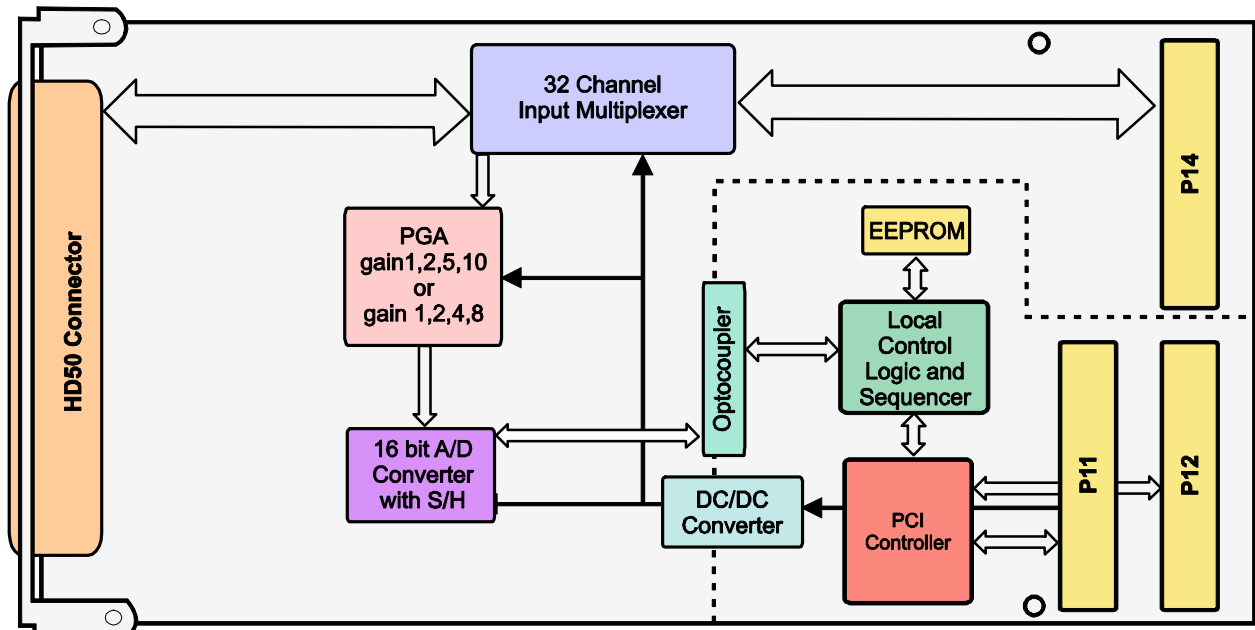
Each TPMC501 is factory calibrated. The calibration data is stored in an EEPROM unique to each TPMC501.

in the Calibration-PROM unique to each PMC module.

Software support (TPMC501-SW-xx) is available for different operating systems.

Technical Information

- Standard single-width 32 bit PMC module conforming to IEEE P1386.1
- PCI 2.1 compliant interface
- 3.3V and 5V PCI Signaling Voltage
- Board size: 149 mm x 74 mm
- 32 single-ended or 16 differential channels of isolated 16 bit A/D conversion
- Acquisition and conversion time up to 12 μ s without and up to 14.5 μ s with channel / gain change
- ESD protected input multiplexer
- Programmable gain amplifier: gain 1, 2, 5, 10 or 1, 2, 4, 8 (order option)
- 16 bit A/D converter with internal S/H and reference
- Full-scale input range +/-10V or 0-10V (order option)
- Interrupt capability at end-of-conversion
- Factory calibrated, calibration information stored in EEPROM



Order Information

RoHS Compliant

TPMC501-10R	32 Channel Isolated Multiplexed 16 bit A/D, gain 1,2,5,10, +/-10V, HD50
TPMC501-11R	32 Channel Isolated Multiplexed 16 bit A/D, gain 1,2,4,8, +/-10V, HD50
TPMC501-12R	32 Channel Isolated Multiplexed 16 bit A/D, gain 1,2,5,10, 0-10V, HD50
TPMC501-13R	32 Channel Isolated Multiplexed 16 bit A/D, gain 1,2,4,8, 0-10V, HD50
TPMC501-20R	32 Channel Isolated Multiplexed 16 bit A/D, gain 1,2,5,10, +/-10V, P14 I/O
TPMC501-21R	32 Channel Isolated Multiplexed 16 bit A/D, gain 1,2,4,8, +/-10V, P14 I/O
TPMC501-22R	32 Channel Isolated Multiplexed 16 bit A/D, gain 1,2,5,10, 0-10V, P14 I/O
TPMC501-23R	32 Channel Isolated Multiplexed 16 bit A/D, gain 1,2,4,8, 0-10V, P14 I/O

For the availability of non-RoHS compliant (lead solder) products please contact TEWS.

Documentation

TPMC501-DOC User Manual

Software

TPMC501-SW-25	Integrity Software Support
TPMC501-SW-42	VxWorks Software Support (Legacy and VxBus-Enabled Software Support)
TPMC501-SW-65	Windows Software Support
TPMC501-SW-82	Linux Software Support
TPMC501-SW-95	QNX Software Support

For other operating systems please contact TEWS.

Related Products

TA301	Cable Kit for modules with HD50 connector
TPIM001	PIM I/O Module, HD50 connector