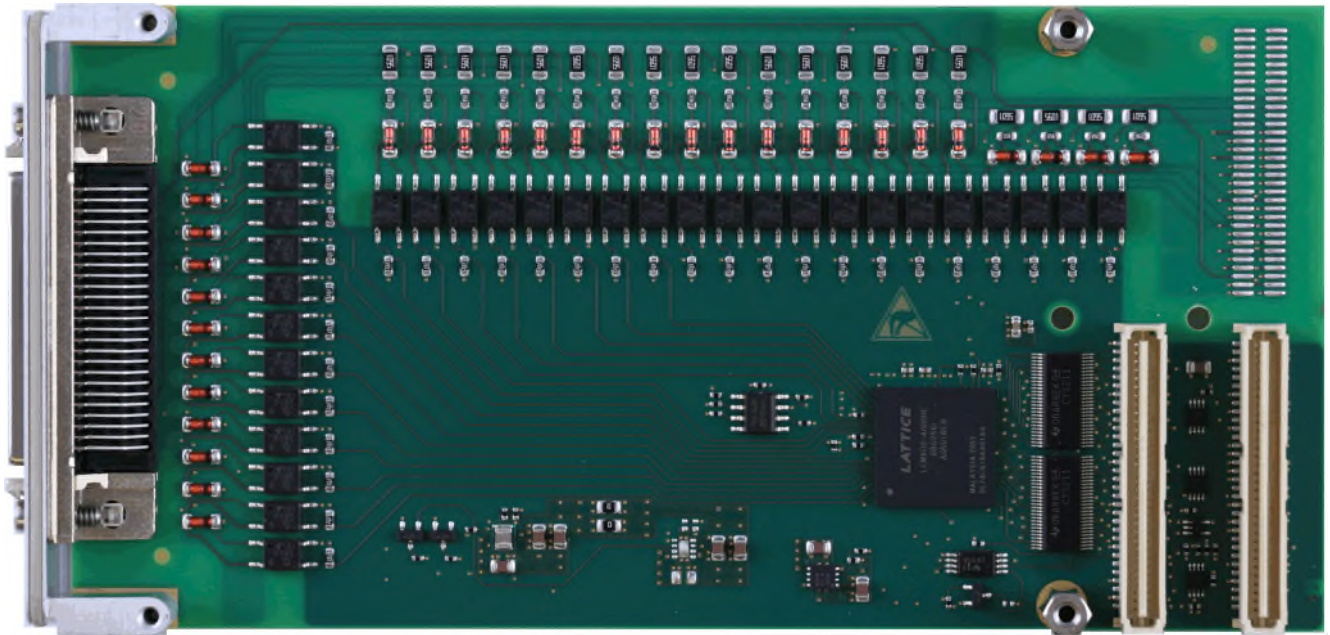


## TPMC600 32 Interrupt Generating Digital Inputs (24V)



### Application Information

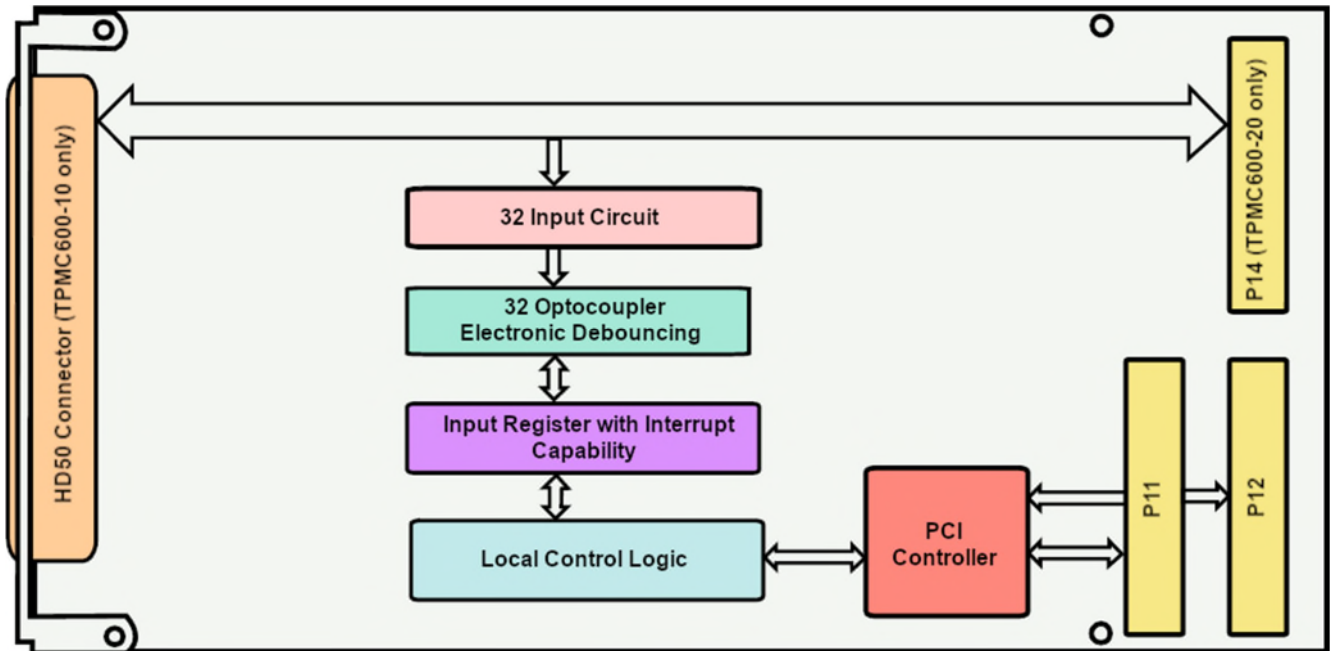
The TPMC600 is a PMC compatible module and has 32 digital inputs galvanically isolated by optocouplers. The individual inputs are separated in groups of 4 sharing a common ground input. These groups are potential free to each other. A high performance input circuit ensures a defined switching point and polarization protection against confusing the pole. All inputs have an electronic debounce circuit with a programmable debounce time.

The modules are with front or back panel I/O available. All inputs can generate an interrupt. The signal edge handling is programmable.

Software Support (TPMC600-SW-xx) for different operating systems is available.

### Technical Information

- Standard single-width 32 bit PMC module conforming to IEEE P1386.1
- PCI3.0 compatible Interface, 32 bit, 33 MHz
- 3.3V and 5V PCI Signaling Voltage
- 32 interrupt generating digital inputs
- 24 V signal voltage for inputs, other voltages on request
- Optocoupler for galvanic isolation of inputs to computer
- All inputs isolated to each other in groups of four inputs
- Protection against confusing the pole
- Programmable electronic debounce circuit (7 $\mu$ s to 440ms in steps of 7 $\mu$ s)
- Operating temperature: -40°C to +85°C



## Order Information

### RoHS Compliant

**TPMC600-10R** 32 Interrupt Generating Digital Inputs, Front panel I/O, HD50

**TPMC600-20R** 32 Interrupt Generating Digital Inputs, P14 I/O

For the availability of non-RoHS compliant (lead solder) products please contact TEWS.

### Documentation

**TPMC600-DOC** User Manual

### Software

**TPMC600-SW-25** Integrity Software Support

**TPMC600-SW-42** VxWorks Software Support (Legacy and VxBus-Enabled Software Support)

**TPMC600-SW-65** Windows Software Support

**TPMC600-SW-82** Linux Software Support

**TPMC600-SW-95** QNX Software Support

For other operating systems please contact TEWS.

### Related Products

**TA301** Cable Kit for modules with HD50 connector

**TPIM001** PIM I/O Module with HD50 SCSI-2 type connector