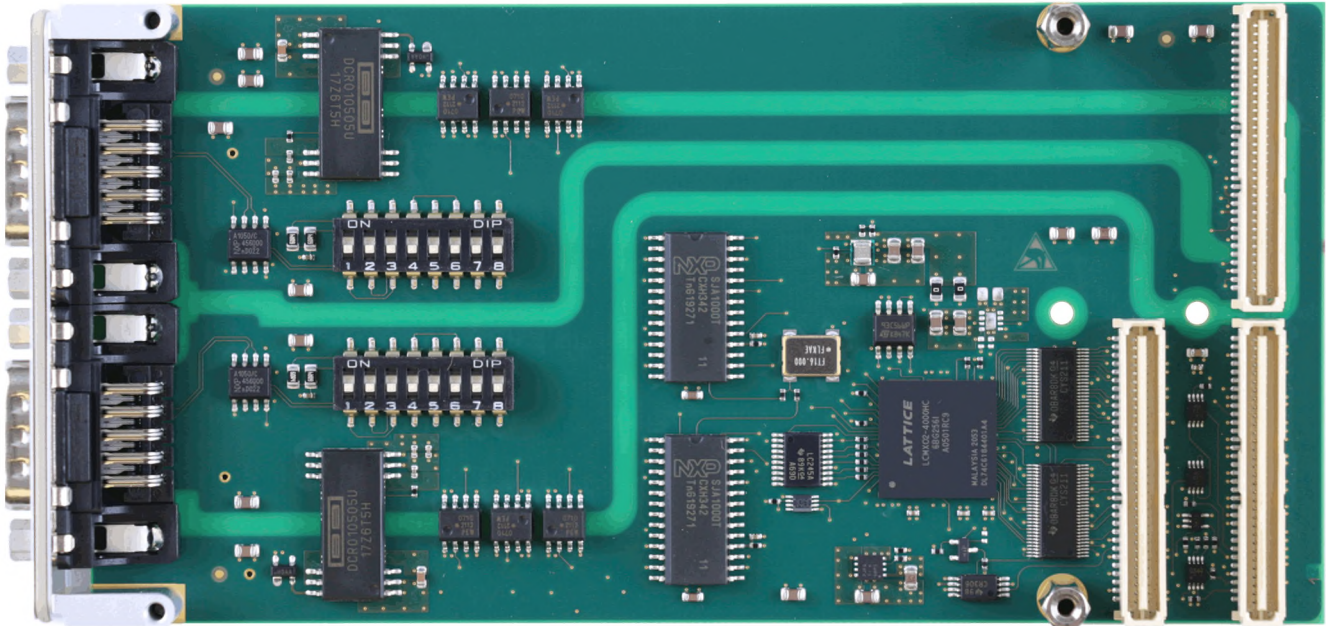


TPMC810 Isolated 2 x CAN Bus



Application Information

The TPMC810 is a standard single-width 32 bit PMC with two independent CAN bus channels, isolated from system logic and from each other.

Two Philips SJA1000 CAN controllers (CAN specification 2.0B supported) are used.

CAN High Speed transceivers are used for the CAN bus I/O interface. An on board termination option (DIP switches) is provided for each CAN bus channel allowing to configure on board termination and pass through mode.

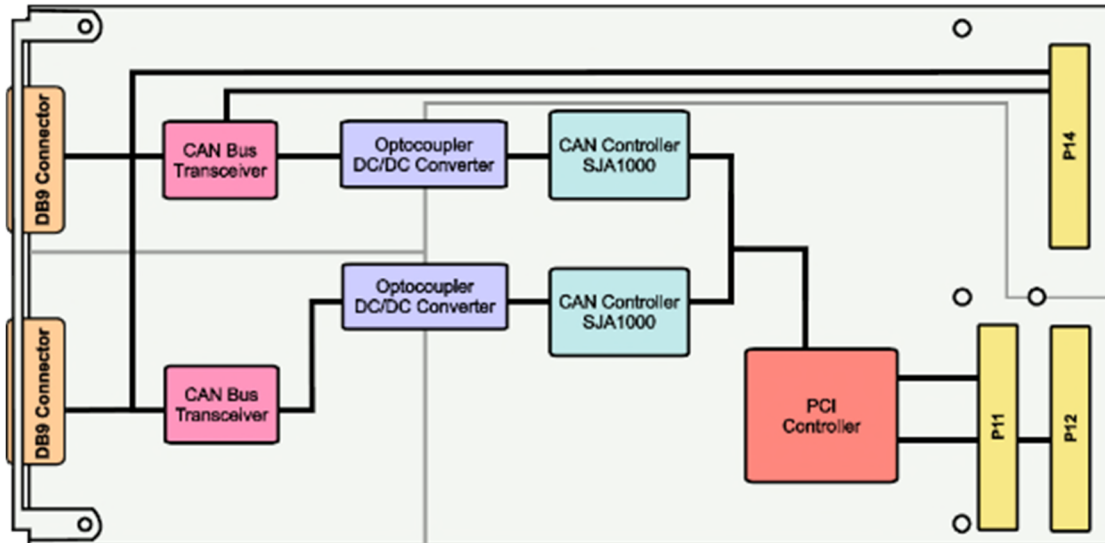
Each channel can generate an interrupt on INTA. Interrupts can be enabled and disabled separately.

The TPMC810 provides front panel I/O via two DB9 male connectors and rear panel I/O via P14.

Software support (TDRV010-SW-xx) for different operating systems is available

Technical Information

- Standard single-width 32 bit PMC module conforming to IEEE P1386.1
- PCI3.0 compatible interface, 32 bit, 33 MHz
- 3.3V and 5V PCI Signaling Voltage
- Board size: 147 mm x 74 mm
- Two CAN bus interfaces based on Philips SJA1000
- I/O access:
 - DB9 male front connectors with pinout following CiA DS-102, parallel to rear connector P14
- Physical interface: CAN High Speed (according to ISO 11898-2)
- Physical interface optically isolated from CAN controller by on board DC/DC converters and optocouplers for each channel
- Transfer rate 1 Mbit/s maximum (bus length up to 30 m)
- Temperature range: -40°C to +85°C
- MTBF (MIL-HDBK217F/FN2 G_B 20°C)
 - TPMC810-10R: 527122 h
 - TPMC810-20R: 529075 h



Order Information

RoHS Compliant

TPMC810-10R	2 x isolated CAN Bus based on Philips SJA1000, ISO11898 CAN High Speed, 2 x DB9 and P14 I/O
TPMC810-20R	2 x isolated CAN Bus based on Philips SJA1000, ISO11898 CAN High Speed, 2 x DB9 and P14 I/O with same pin assignment as TPMC816-10R

For the availability of non-RoHS compliant (lead solder) products please contact TEWS.

Documentation

TPMC810-DOC	User Manual
--------------------	-------------

Software

TDRV010-SW-25	Integrity Software Support
TDRV010-SW-42	VxWorks Software Support (Legacy and VxBus-Enabled Software Support)
TDRV010-SW-65	Windows Software Support
TDRV010-SW-82	Linux Software Support
TDRV010-SW-95	QNX Software Support

For other operating systems please contact TEWS.

Related Products

TPIM001	PIM I/O Module, HD50 connector
----------------	--------------------------------