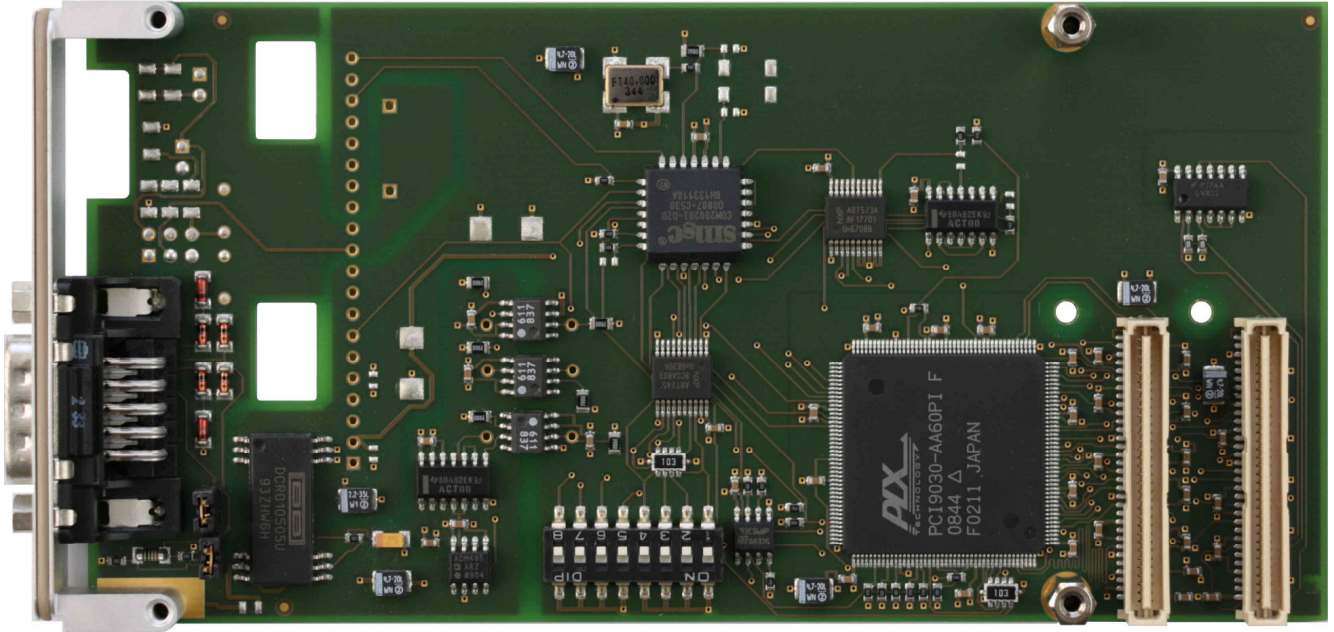


TPMC815 ARCNET Controller



TPMC815-21R

Application Information

The TPMC815 is a standard single-width 32 bit PMC module with a complete ARCNET interface using the controller COM20020. The COM20020 contains the ARCNET controller with transceiver and Dual Port RAM.

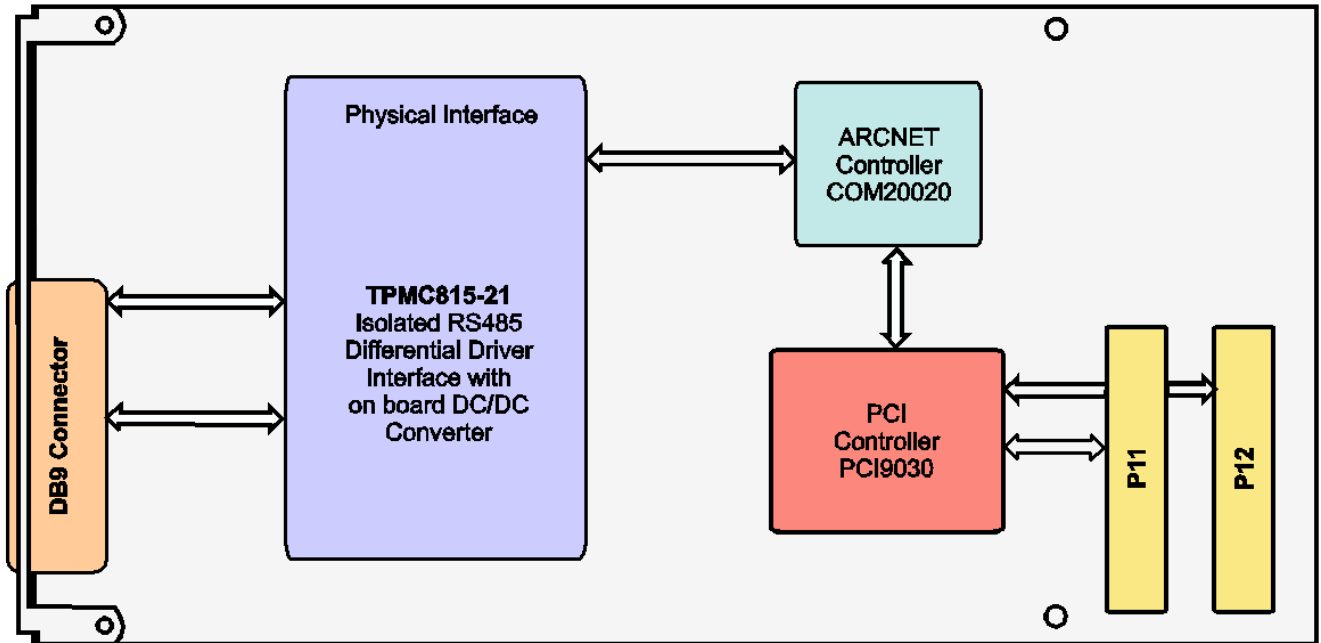
The TPMC815-21R provides an isolated RS485 differential driver interface.

The maximum speed of the TPMC815-21R is 5.0 Mbps. The module is ideal suited for industrial / factory automation and automotive applications.

Software support (TDRV007-SW-xx) is available for different operating systems.

Technical Information

- Standard single-width 32 bit PMC module conforming to IEEE P1386.1
- PCI 2.1 compliant interface
- Board size: 149 mm x 74 mm
- ARCNET Interface based on COM20020 Complete ARCNET controller with transceiver and Dual Port RAM
- Ideal for industrial / factory automation and automotive applications
- Deterministic 5 Mbps Token Passing Protocol
- Improved diagnostics
- Isolated RS485 differential driver interface with on board DC/DC converter
- Operating Temperature Range -40°C to +85°C



Order Information

RoHS Compliant

TPMC815-21R ARCNET, COM20020, 5 Mbps, isolated RS485 Interface, DB9

For the availability of non-RoHS compliant (lead solder) products please contact TEWS.

Documentation

TPMC815-DOC User Manual

Software

TDRV007-SW-25 Integrity Software Support

TDRV007-SW-42 VxWorks Software Support (Legacy and VxBus-Enabled Software Support)

TDRV007-SW-65 Windows Software Support

TDRV007-SW-82 Linux Software Support

TDRV007-SW-95 QNX Software Support

For other operating systems please contact TEWS.