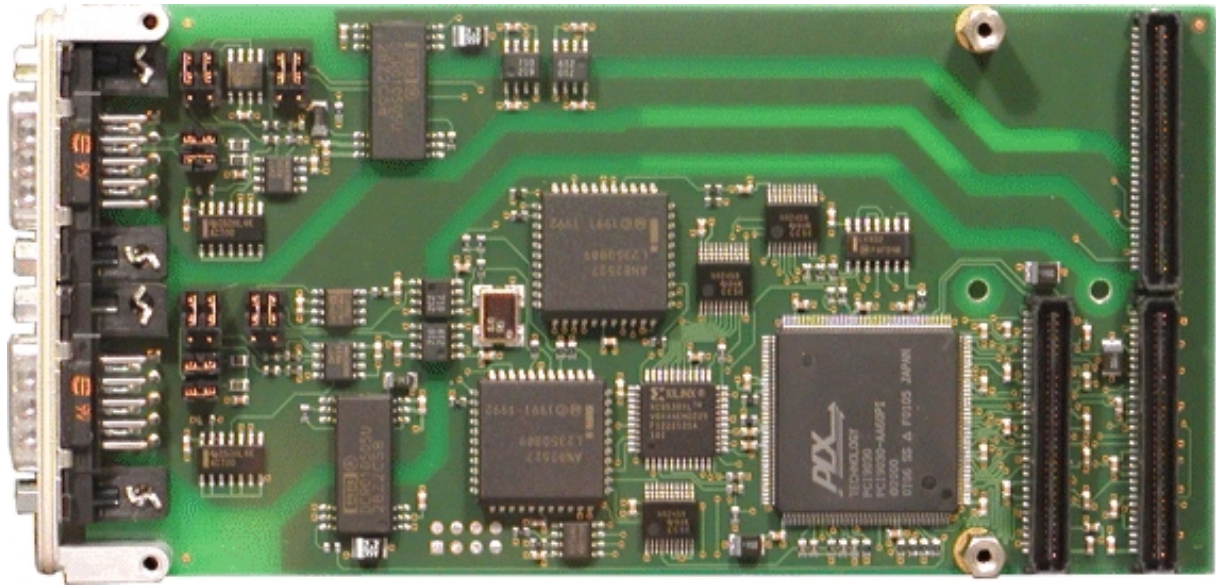


## TPMC816 Two Independent Channels Extended CAN Bus



### Application Information

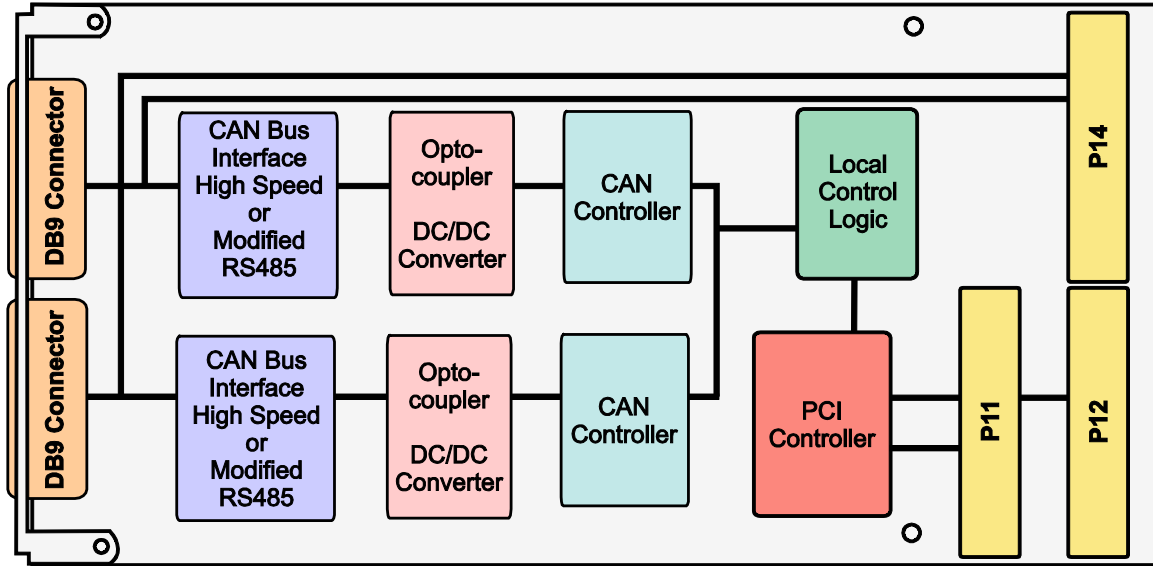
The TPMC816 is a standard single-width 32 bit PMC module with two complete CAN bus interfaces using two Bosch CC770 CAN controllers. The CC770 offers pin compatibility with Intel's 82527 CAN Controller and is a function replacement. Both channels are completely independent and support CAN specification 2.0 part A and B (Standard 11 bit identifier and extended 29 bit identifier).

Each channel provides CAN High Speed and modified RS485 as physical interface. The physical interfaces are optically isolated from the CAN controller and powered by an on board DC/DC converter for each channel. The TPMC816-11R provides one CAN bus channel.

Software Support (TDRV011-SW-xx) for different operating systems is available.

### Technical Information

- Standard single-width 32 bit PMC module conforming to IEEE P1386.1
- PCI 2.1 compliant interface
- 3.3V and 5V PCI Signaling Voltage
- Board size: 149 mm x 74 mm
- CAN bus interface based on Bosch CC770 chip
- I/O access :  
DB9 male front connector with pinout following CiA DS-102, parallel to rear connector P14
- Support CAN specification 2.0 part A and B (standard and extended data frames)
- Programmable global mask
- 15 message objects of 8 byte data length
- Powerful error handling
- Programmable transfer rates
- Physical interface CAN High Speed (according to ISO 11 898) and modified RS485 per channel
- Physical interface optically isolated from CAN controller by on board DC/DC converter per channel
- Maximum transfer rate 1 Mbit/s (bus length up to 40 m)
- Operating temperature -40°C to +85°C



### Order Information

#### RoHS Compliant

- TPMC816-10R** 2x isolated CAN Bus based on Bosch CC770, ISO11898 CAN High Speed or RS485, 2x DB9 and P14 I/O
- TPMC816-11R** 1x isolated CAN Bus based on Bosch CC770, ISO11898 CAN High Speed or RS485, DB9 and P14 I/O

For the availability of non-RoHS compliant (lead solder) products please contact TEWS.

#### Documentation

- TPMC816-DOC** User Manual

#### Software

- TDRV011-SW-25** Integrity Software Support
- TDRV011-SW-42** VxWorks Software Support (Legacy and VxBus-Enabled Software Support)
- TDRV011-SW-65** Windows Software Support
- TDRV011-SW-82** Linux Software Support
- TDRV011-SW-95** QNX Software Support

For other operating systems please contact TEWS.

#### Related Products

- TPIM001** PIM I/O Module with HD50 connector