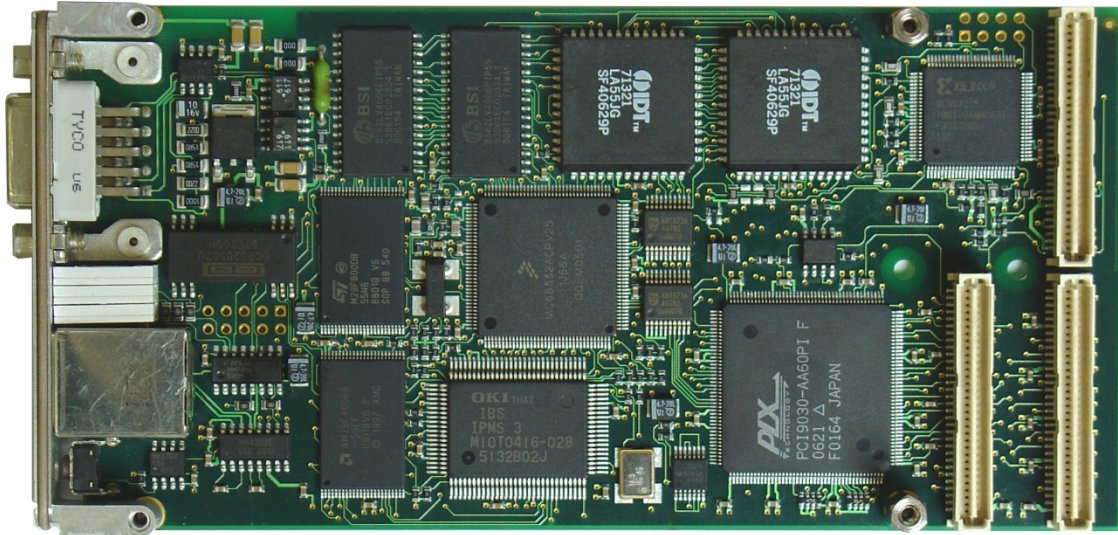


## TPMC821 Interbus-Master Interface Generation 4 ( G4 )



### Application Information

The TPMC821 is a standard single-width 32 bit PMC module and offers a complete PMC INTERBUS Master Generation 4 (G4) Interface. A MC68332 local controller and the IPMS3 INTERBUS protocol controller are used as controlling units on board of the TPMC821.

The communication between the host CPU and the TPMC821 is handled via a 4 Kbyte Dual Port Memory. The on board firmware running on the MC68332 is the original INTERBUS Master Generation 4 (G4) firmware from Phoenix Contact.

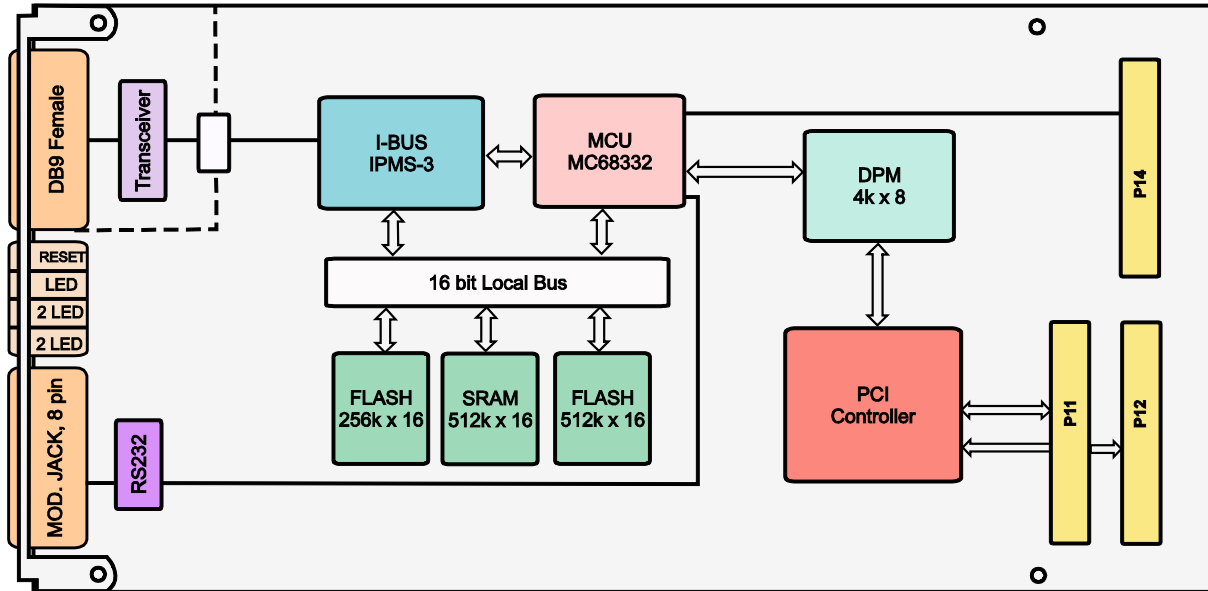
Furthermore the TPMC821 provides a RS232 diagnostic port, the optically isolated INTERBUS interface and status LEDs.

For First Time Users the Engineering Documentation TPMC821-ED is recommended. The Engineering Documentation includes TPMC821-DOC, schematics and data sheets.

Software support (TPMC821-SW-xx) is available for different operating systems.

### Technical Information

- Standard single-width 32 bit PMC module conforming to IEEE P1386.1
- PCI 2.1 compliant interface
- Board size: 149 mm x 74 mm
- Local MCU Motorola MC68332 20 MHz
- Interbus Controller IPMS3 Interbus Master Protocol Chip
- Memory configuration SRAM: 512k x 16 (1MB)
- FLASH: 512k x 16 (1MB) + 256k x 16, DPM: 4K x 8
- Interbus interface (front I/O) DB9 female connector
- RS-232 interface (front I/O) Shielded 8P. Mod.-Jack
- LED Diagnostic (front I/O)
- Enhanced Diagnostic port at the P14 Mezzanine Connector (back I/O), RESET Push-Button (front I/O)
- G4 Phoenix Contact Firmware (4.66)



### Order Information

#### RoHS Compliant

**TPMC821-10R** INTERBUS Master G4 (Generation 4) based on firmware from Phoenix

For the availability of non-RoHS compliant (lead solder) products please contact TEWS.

#### Documentation

**TPMC821-DOC** User Manual

**TPMC821-ED** Engineering Documentation, TPMC821-DOC, schematics, data sheets, Phoenix Documentation

#### Software

**TPMC821-SW-25** Integrity Software Support

**TPMC821-SW-42** VxWorks Software Support (Legacy and VxBus-Enabled Software Support)

**TPMC821-SW-65** Windows Software Support

**TPMC821-SW-82** Linux Software Support

**TPMC821-SW-95** QNX Software Support

For other operating systems please contact TEWS.

#### Related Products

**TPIM001** PIM I/O Module with HD50 connector