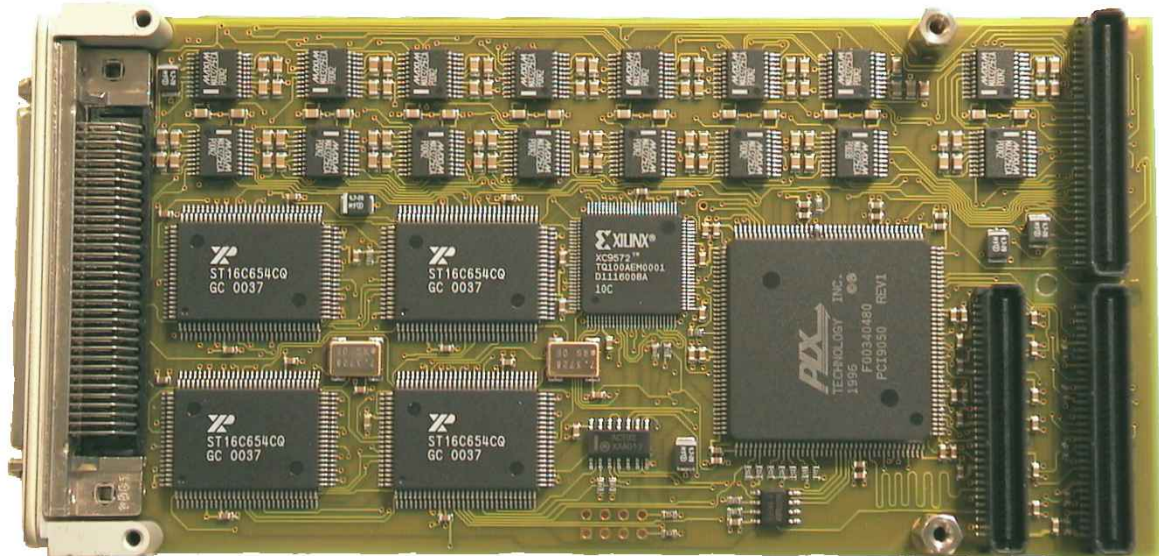


## TPMC868 16 Channel Serial Interface



TPMC868-10R

### Application Information

The TPMC868 is a standard single-width 32 bit PMC module and offers 16 channels of high performance asynchronous serial interface. Two different modules are available: the TPMC868-10R offers 16 RS232 channels with front panel I/O and P14 I/O supporting Rx/D, Tx/D, RTS, CTS and GND for each channel. The TPMC868-11R provides 16 RS422 channels with front panel I/O and P14 I/O supporting Rx/D+/-, Tx/D+/- and GND per channel.

Each channel has a 64 byte transmit FIFO and a 64 byte receive FIFO to significantly reduce the overhead required to provide data to and get data from the transmitters and receivers. The FIFO trigger levels are programmable.

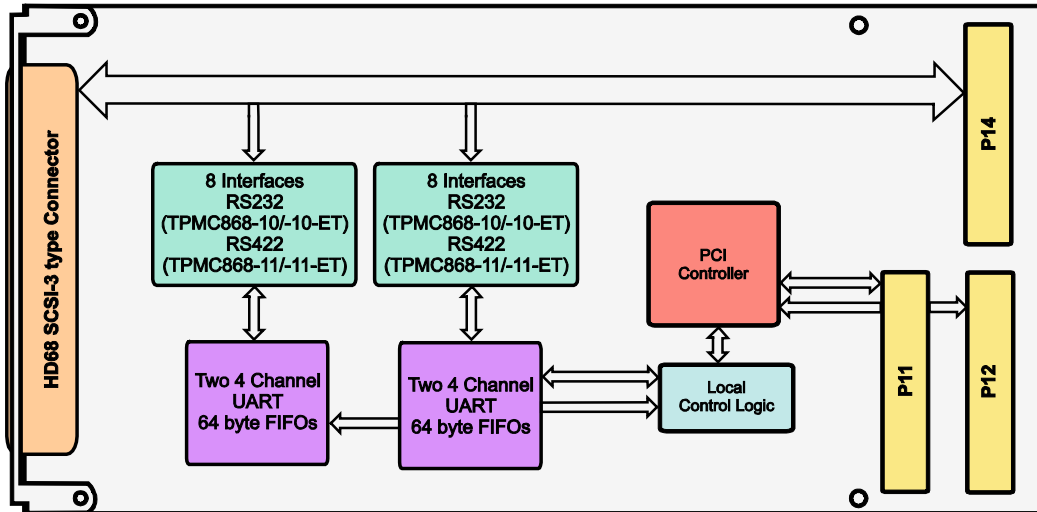
The baud rate is individually programmable up to 230 Kbaud. All serial channels use ESD protected transceivers up to +/-15KV according to IEC 1000-4-2.

All TPMC868 modules are available in extended temperature range as TPMC868-xxR-ET versions.

Software support (TPMC868-SW-xx) is available for different operating systems.

### Technical Information

- Standard single-width 32 bit PMC module conforming to IEEE P1386.1
- PCI 2.1 compliant interface
- Board size: 149 mm x 74 mm
- 16 channel asynchronous serial interface RS232
- Support of Rx/D, Tx/D, RTS, CTS and GND for each serial channel of the TPMC868-10R and Rx/D+/-, Tx/D+/- and GND for each serial channel of the TPMC868-11R
- Programmable baud rates up to 230 Kbaud
- 64 byte transmit FIFO per channel
- 64 byte receive FIFO per channel
- ESD protected transceiver (up to +/- 15KV according to IEC 1000-4-2)
- Temperature range:
  - 0°C to +70°C (TPMC868-10R/-11R)
  - and -40°C to +85°C (TPMC868-10R-ET/-11R-ET)



### Order Information

#### RoHS Compliant

<b>TPMC868-10R</b>	16 Channel Serial RS232, HD68
<b>TPMC868-10R-ET</b>	16 Channel Serial RS232, HD68, ext. temp.
<b>TPMC868-11R</b>	16 Channel Serial RS422, HD68
<b>TPMC868-11R-ET</b>	16 Channel Serial RS422, HD68, ext. temp.

For the availability of non-RoHS compliant (lead solder) products please contact TEWS.

#### Documentation

<b>TPMC868-DOC</b>	User Manual
--------------------	-------------

#### Software

<b>TPMC868-SW-25</b>	Integrity Software Support
<b>TPMC868-SW-42</b>	VxWorks Software Support (Legacy and VxBus-Enabled Software Support)
<b>TPMC868-SW-65</b>	Windows Software Support
<b>TPMC868-SW-72</b>	LynxOS Software Support
<b>TPMC868-SW-82</b>	Linux Software Support
<b>TPMC868-SW-95</b>	QNX Software Support

For other operating systems please contact TEWS.

#### Related Products

<b>TA304</b>	Cable Kit for Modules with HD68 Connector
<b>TPIM003</b>	PIM I/O Module, HD68 connector, special pin assignment