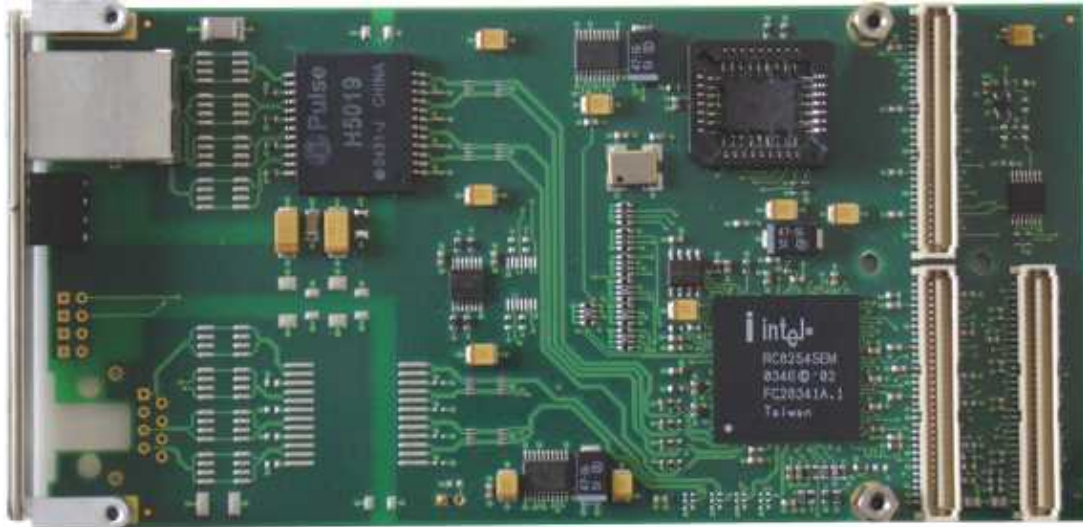


## TPMC883 Single Channel 10/100/1000 Mbit/s Ethernet



### Application Information

The TPMC883 is a PCI Mezzanine Card (PMC) compatible module providing a single channel Gigabit Ethernet 10 / 100 / 1000BASE-TX interface.

For highest data rates, the TPMC883 has a 64 bit, 133/100/66 MHz PCI bus interface and is capable of full speed bus-master DMA operations utilizing maximum PCI bandwidth.

An Intel™ 82545EM Ethernet Controller (82545GM for RoHS compliant product) is used, which supports 10, 100 and 1000 Mbit/s transmission rates for half and full duplex operation. The TPMC883 is capable of performing an auto

negotiation algorithm which allows both link-partners to find out the best link-parameters by themselves. The TPMC883 is widely user configurable via configuration and status register access over the PCI bus. Front panel mounted LEDs indicate various network activities.

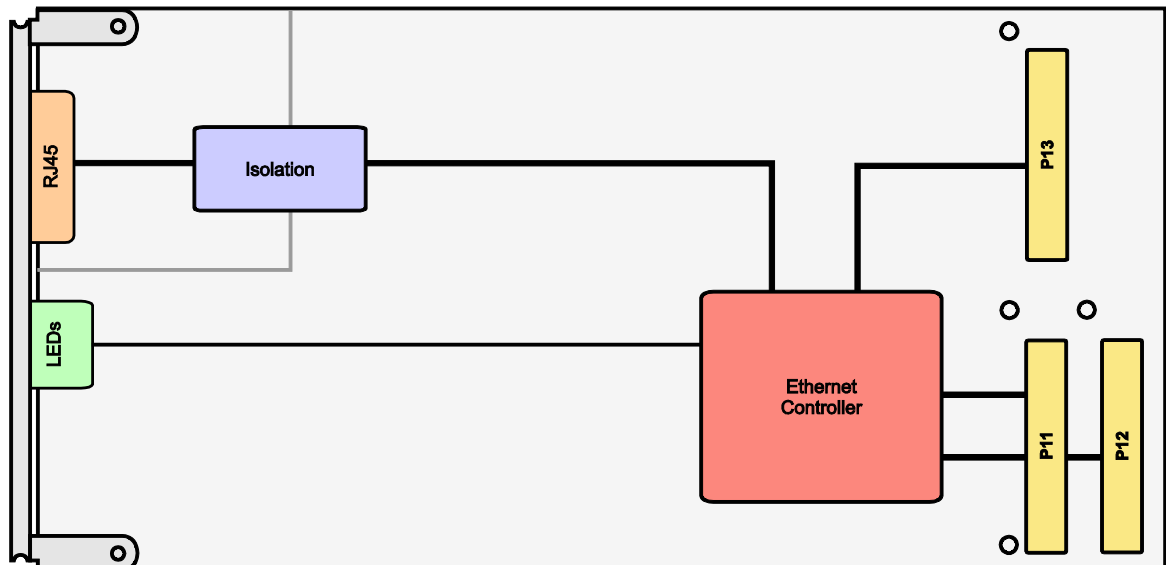
The TPMC883 provides a 10/100/1000 Mbit/s network connection via a front panel RJ45 connector. The port is galvanically isolated from the Ethernet Controller.

#### Driver Support:

- Software Support Windows and several other operating systems is available from Intel.
- For other operating systems please contact TEWS.

### Technical Information

- Standard single-width 64 bit PMC module conforming to IEEE P1386.1
- PCI 2.2 (64 bit / 66 MHz) and PCI-X 1.0a (64 bit / 133 MHz) compliant interface
- 3.3V and 5V PCI Signaling Voltage
- Board size: 147 mm x 74 mm
- IEEE802.3 compliant Gigabit LAN interface
- Support of front panel status LEDs
- 10BASE-T/100BASE-TX 1000BASE-T interface available
- Half or full-duplex operation
- 64 Kbyte Transmit and Receive FIFOs
- Controller supports DMA cycles as a bus master
- Operating temperature range: 0°C to +70°C



### Order Information

#### RoHS Compliant

**TPMC883-10R** 1 Channel 10/100/1000BaseT Ethernet Interface, Intel 82545EM, RJ45

For the availability of non-RoHS compliant (lead solder) products please contact TEWS.

#### Documentation

**TPMC883-DOC** User Manual