

TVME200 VMEbus Carrier for 4 IndustryPacks®



Application Information

The TVME200 is 6U VMEbus Carrier for up to 4 single-size or 2 double-size IndustryPack (IP) modules used to build modular, flexible and cost effective I/O solutions for applications in process control, medical systems, telecommunication and traffic control.

A set of 16-position rotary switches allows easy configuration of VME Short I/O and Memory addresses. Interrupt routing from the IP slots to the VME IRQ's can be done in two ways: programmable by software or selection of predefined sets by a rotary switch.

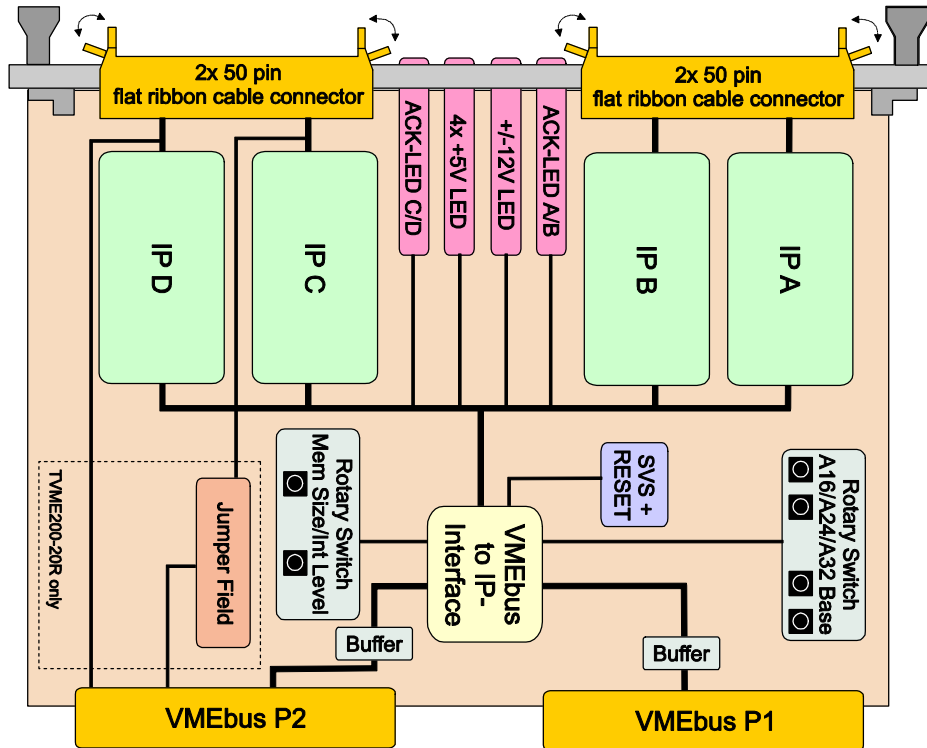
Four 50 pin 0.1 inch flat ribbon cable connectors mounted in the front panel of the TVME200 provide access to all IP I/O lines. Additional, on the TVME200-20R all I/O lines of 'IP D' are routed to VME P2 and 14 user selectable I/O lines of 'IP C' can be routed to VME P2 via a jumper field.

Status indicators for IP access, +5V and +/-12V are provided.

The IP power lines are fuse protected by self healing fuses and RF filtered. The operating temperature ranges between -40°C and +85°C.

Technical Information

- Form Factor: VMEbus Board, 6U
- VMEbus Slave Interface:
 - Short I/O: A16, D08/16, size: 1 Kbyte
 - Standard memory: A24, D08/16
 - Size: programmable, 32 Kbytes to 2 Mbytes per IP
 - Extended memory: A32, D08/16
 - Size: fixed, 8 Mbytes per IP
 - Interrupts: IRQ1-7
- ANSI/VITA 4-1995 compliant interface to IndustryPack modules
 - IndustryPack slots: Four single-size or two double-size with front panel I/O
 - 8 MHz interface, no DMA
- Routing of IP interrupt levels to VME IRQ1-7: programmable by software or selection of predefined sets by a rotary switch
- I/O access: 50 pin 0.1 inch flat ribbon cable connector per IP mounted in front panel
 - Rear I/O of 'IP C' and 'IP D' (TVME200-20R only)
- Status LED's
 - ACK LED for each IP module
 - +5V Power LED for each IP slot
 - +12V and -12V Power LED
- Self healing fuses and RF-filtering on all IP power lines
- Operating temperature -40°C to +85°C



Order Information

RoHS Compliant

TVME200-10R 6U 4 Slot IndustryPack Carrier, 50 pin ribbon cable connectors (stacked version)

TVME200-20R 6U 4 Slot IndustryPack Carrier, 50 pin ribbon cable connectors (stacked version), P2-I/O for IP-C/D

For the availability of non-RoHS compliant (lead solder) products please contact TEWS.

Documentation

TVME200-DOC User Manual

Software

CARRIER-SW-42 VxWorks Software Support (Legacy and VxBus-enabled Software Support)

CARRIER-SW-82 Linux IP Carrier Software Support

CARRIER-SW-95 QNX IP Carrier Software Support

For other operating systems please contact TEWS.

Related Products

TA305 Cable Kit for Modules with 50 pin ribbon cable connector