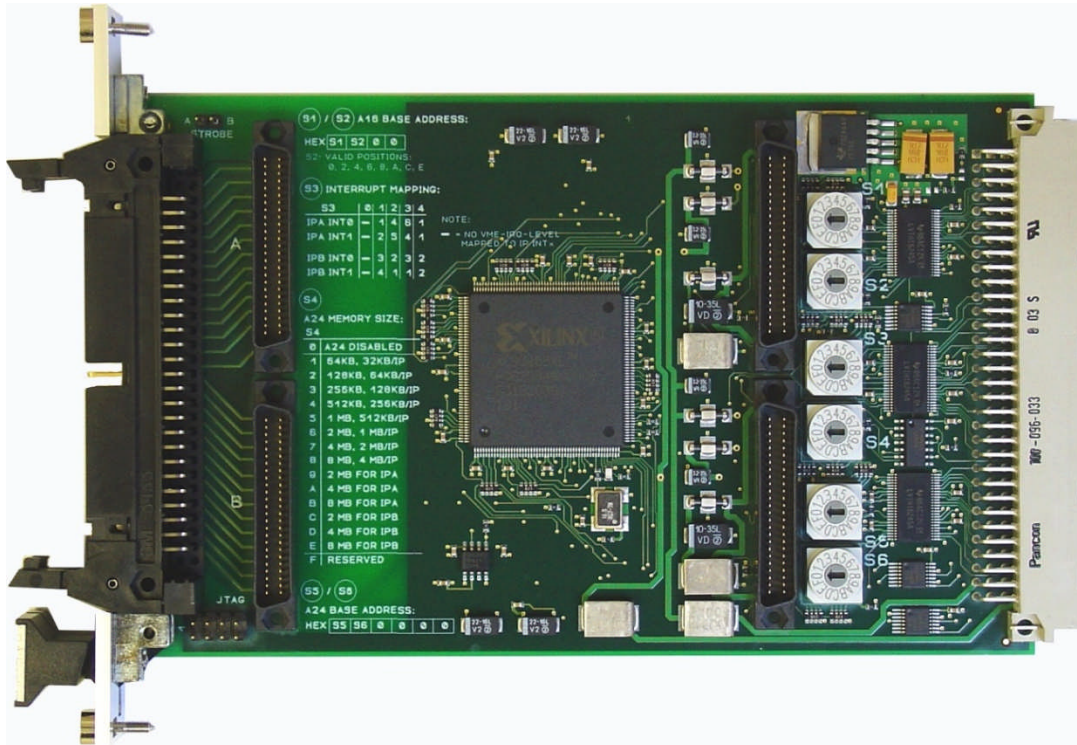


## TVME211 VMEbus Carrier for 2 IndustryPacks®



### Application Information

The TVME211 is a 3U VMEbus Carrier for up to two single-size or one double-size IndustryPack (IP) modules allowing to build up modular, flexible and cost effective I/O solutions for all kinds of applications like process control, medical systems, telecommunication and traffic control.

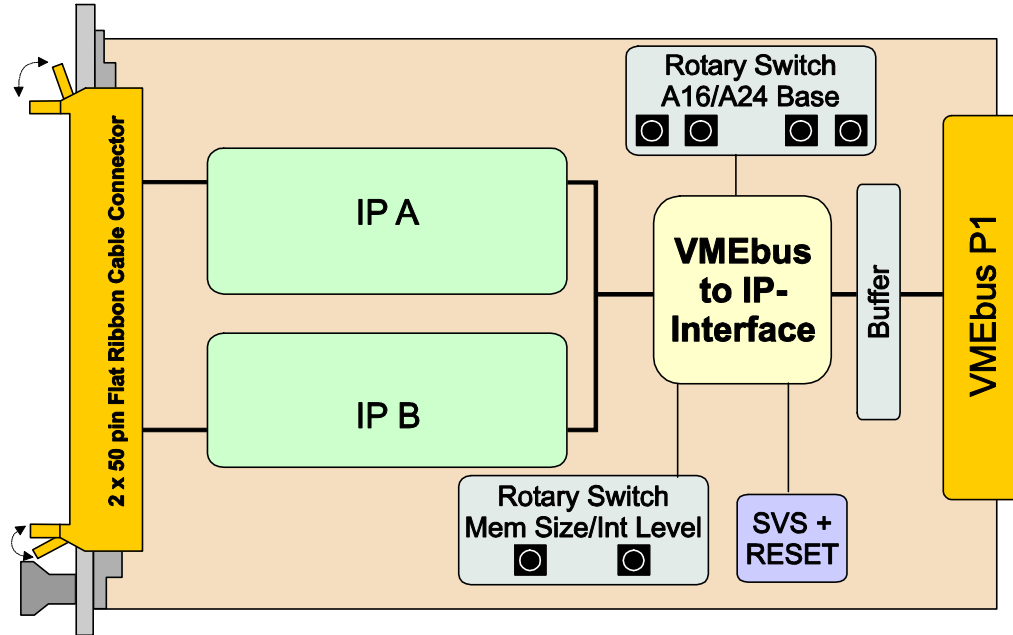
Two 50 pin 0.1 inch flat ribbon cable connectors mounted in the front panel of the TVME211 provide access to all IP I/O lines.

A set of 16-position rotary switches allows easy configuration of VME Short I/O and Memory addresses. Interrupt routing from the IP slots to the VME IRQ's can be done in two ways: programmable by software or selection of predefined sets by a rotary switch.

The IP power lines are fuse protected by self healing fuses and RF filtered. The operating temperature range is -40°C and +85°C.

### Technical Information

- Form Factor: VMEbus board, 3U
- VMEbus Slave Interface:
  - Short I/O: A16, D08/16, size: 512 bytes
  - Standard Memory: A24, D08/16, Size: programmable, 32 Kbytes to 4 Mbytes per IP or 2 Mbytes to 8 Mbytes for one IP
  - Interrupts: IRQ1-7
- ANSI/VITA 4-1995 compliant interface to IndustryPack modules
  - IndustryPack slots: Two single-size or one double-size with front panel I/O
- 8 MHz interface, no DMA
- Routing of IP Interrupt Levels to VME IRQ1-7: programmable by software or selection of predefined sets by a rotary switch
- I/O access: 50 pin 0.1 inch flat ribbon cable connector (stacked version) per IP mounted in front panel
- Self Healing fuses and RF-filtering on all IP power lines
- Operating temperature -40°C to +85°C



### Order Information

#### RoHS Compliant

- TVME211-10R** 3U 2 Slot IndustryPack Carrier, 50pin ribbon cable connectors (stacked version)  
**TVME211-11R** 6U 2 Slot IndustryPack Carrier, 50pin ribbon cable connectors (stacked version)

For the availability of non-RoHS compliant (lead solder) products please contact TEWS.

#### Documentation

- TVME211-DOC** User Manual

#### Software

- CARRIER-SW-42** VxWorks Software Support (Legacy and VxBus-enabled Software Support)  
**CARRIER-SW-82** Linux IP Carrier Software Support  
**CARRIER-SW-95** QNX IP Carrier Software Support

For other operating systems please contact TEWS.

#### Related Products

- TA305** Cable Kit for Modules with 50 pin ribbon cable connector