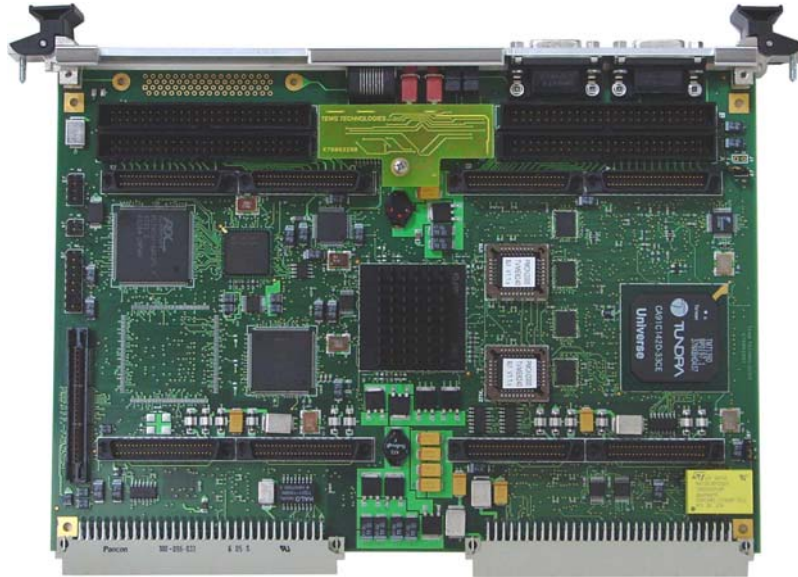


TVME8240 High Performance PowerPC based IndustryPack® Carrier



Application Information

The TVME8240 VMEbus CPU board is based on the high integrated MPC8240 Power PC microprocessor with an MPC603e CPU core, a powerful DRAM controller and PCI interface.

The TVME8240 provides 4 IndustryPack slots with front I/O, NVRAM/RTC, Fast Ethernet, and FLASH memory.

The combination of an MPC8240 processor and IndustryPack slots provide a powerful CPU and a modular I/O solution for applications in process control, telecommunication, medical systems and traffic control.

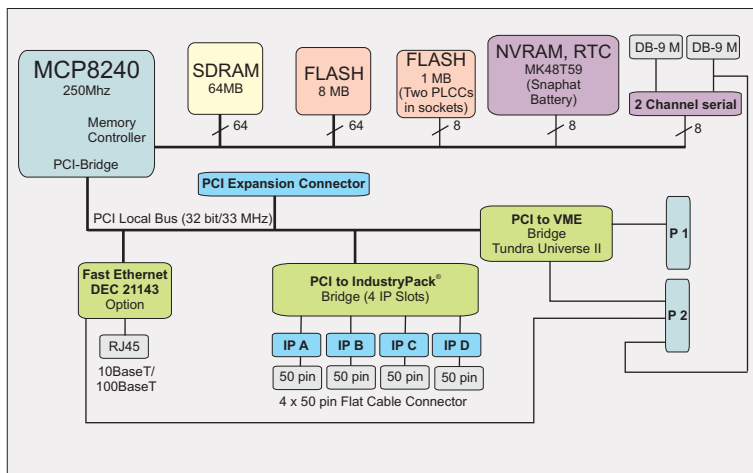
Software support for the TVME8240 CPU board is available for VxWorks, Linux, LynxOS, and OS-9. A PMON Bug Monitor is installed on the TVME8240.

For First-Time-Buyers the Engineering Documentation TVME8240-ED is recommended. The Engineering Documentation includes TVME8240-DOC, schematics and data sheets of TVME8240.

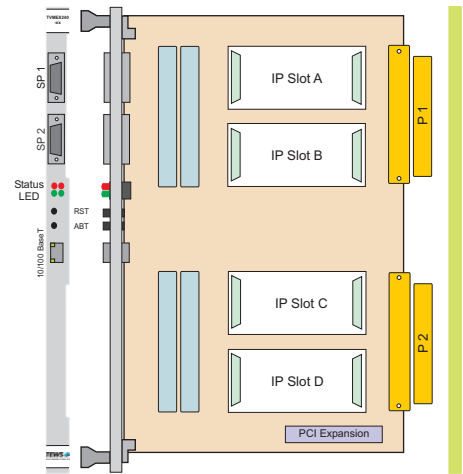
Technical Information

- MPC8240 CPU: 250 MHz PowerPC 603e Core, 16 KB / 16 KB L1-Cache, four programmable timers
- 64 MB SDRAM (64 bit wide)
- Two 32-pin PLCC/CLCC sockets for up to 1 MB boot FLASH memory (firmware)
- 8 MB FLASH memory (64 bit wide)
- Four IndustryPack slots (front panel I/O) (16 bit wide) (double sized modules supported)
- PCI Expansion Connector (33 MHz, 32 bit PCI) (supports TVME230 IP Expansion Card or Motorola PMC-Span)
- 10/100 Mbit/s Ethernet interface with 32 bit PCI DMA
- 8 KB NVRAM and TOY clock with exchangeable battery
- One asynchronous RS232 port, one asynchronous RS232/RS422 port
- On board debug monitor
- A32/D32/BLT64 VME bus Master/Slave interface with system controller function, high performance DMA supports VMEbus D64 and 32 bit PCI local bus memory burst, 4-Level requester, 7-Level interrupter and 7-Level VME bus interrupt handler
- Operating temperature range 0°C to 55°C forced air cooling

TVME8240



Block Diagram



Board Layout

Order Information

None RoHS Compliant

- TVME8240-11** MPC8240-250 MHz, 64 MB SDRAM, 1 + 8 MB Flash, Fast Ethernet, front panel I/O, Standard Handles
- TVME8240-A1-10** RS232 Serial Adapter for serial Port B of TVME8240
- TVME8240-A1-11** RS422 Serial Adapter for serial Port B of TVME8240

Documentation

- TVME8240-DOC** User Manual, includes documentation for PMON Bug Monitor
- TVME8240-ED** Engineering Documentation (TVME8240-DOC, schematics, assembly drawing, data sheets)

Software

- TVME8240-SW-10** OS-9 Board Support Package
- TVME8240-SW-40** VxWorks Board Support Package (includes VxWorks IP Carrier Software Support)
- TVME8240-SW-70** LynxOS Board Support Package (includes LynxOS IP Carrier Software Support)
- TBSP001-SW-80** Linux Board Support Package (includes Linux IP Carrier Software Support)

For other operating systems please contact TEWS.

Related Products

- TVME230** PCI Expansion Card for 4 IndustryPacks, IEEE1101 Handles or Standard Handles
- TVME230-DOC** User Manual for TVME230
- TVME230-ED** Engineering Documentation for TVME230 (TVME230-DOC, schematics, data sheets)