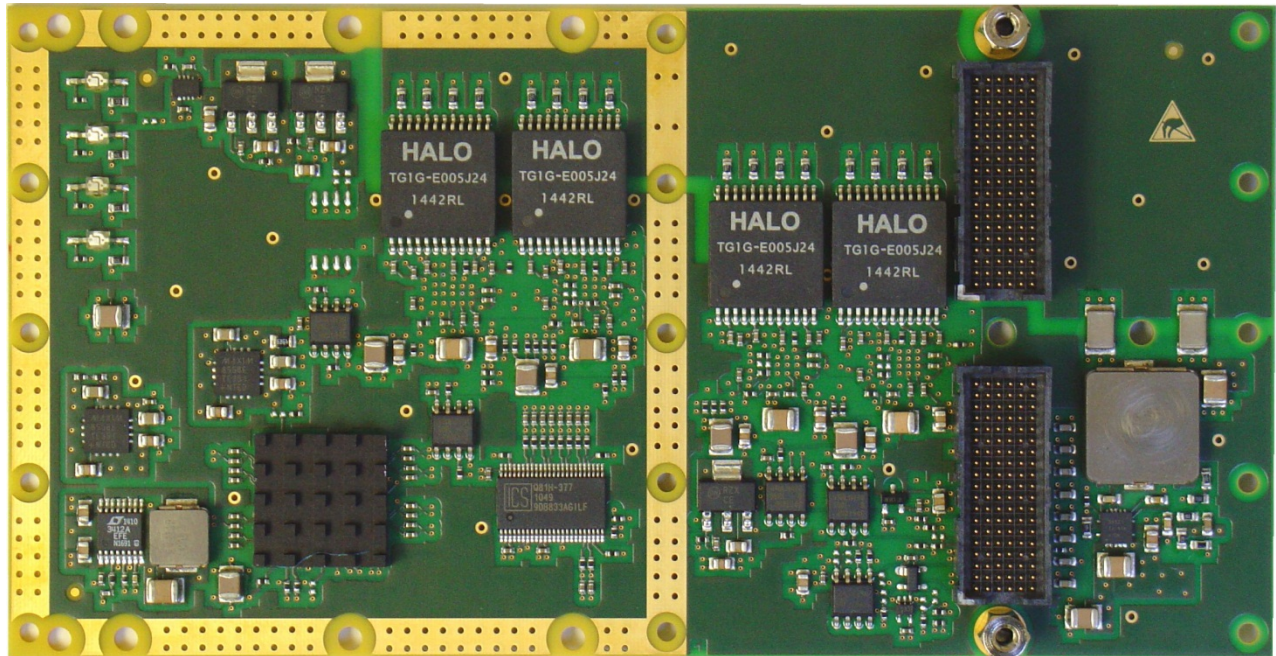


## TXMC385 Conduction Cooled, 4x 10/100/1000 Mbit/s Ethernet



### Application Information

The TXMC385 is a Conduction Cooled Switched Mezzanine Card (CCXMC) compatible module providing a four channel Ethernet 10BASE-T / 100BASE-TX / 1000BASE-T interface.

A PCI Express Switch provides access to the Intel™ 82574IT Gigabit Ethernet controllers. Each Ethernet interface supports 10, 100 and 1000 Mbit/s transmission rates for full duplex operation, 10 and 100 Mbit/s transmissions for half duplex operation, and is equipped with a 32 Kbit serial EEPROM.

The four Ethernet interfaces of the TXMC385 are capable of performing an auto-negotiation algorithm which allows both link-partners to determine the best link parameters. The TXMC385 is user configurable via configuration and register accesses over the PCI Express interface.

The TXMC385-10R routes all four 10/100/1000 Mbit/s Ethernet ports to the XMC back I/O P16 connector. Two ports are mapped in the X12d range and two ports are mapped in the X8d range specified in VITA46.9 standard.

All ports are galvanically isolated from the Ethernet controllers and LEDs on the board indicate the different network activities.

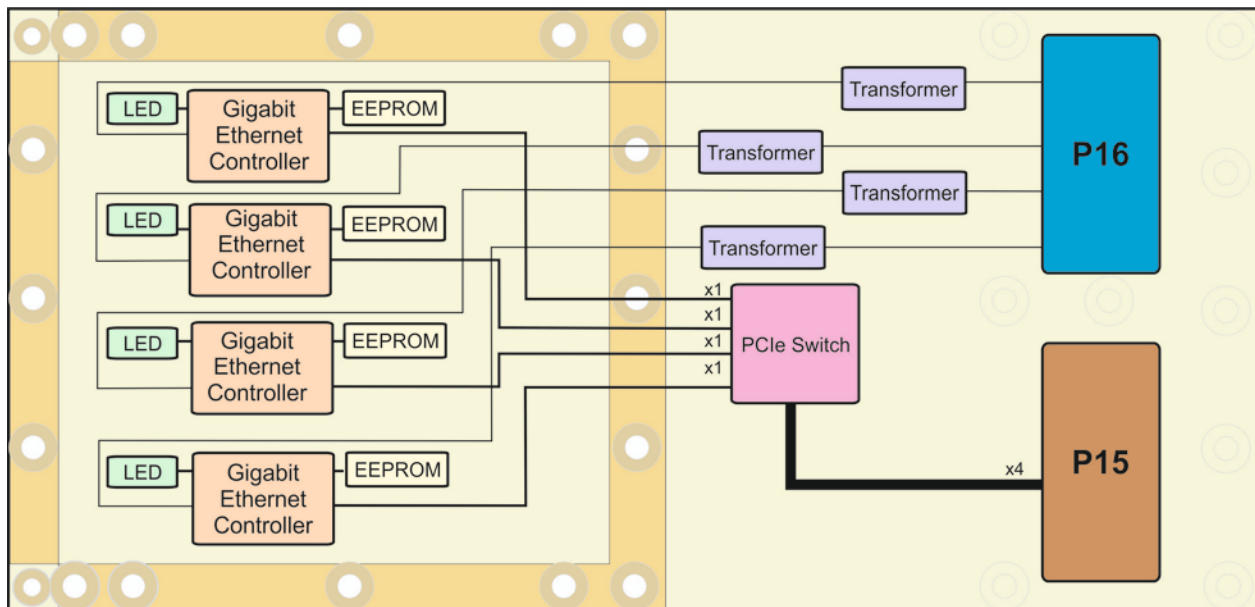
The module meets the requirements to operate in extended temperature range from -40° to +85°C.

#### Software Support:

- Software support for Intel™ 82574IT at [www.intel.com](http://www.intel.com)
- For operating systems not supported by Intel™, please contact TEWS.

### Technical Information

- Form Factor: Standard single-width CCXMC module conforming to ANSI/VITA 42.0
  - Board size: 143.75 mm x 74 mm
- x4 PCI Express (Base Specification 1.1) compliant interface conforming to ANSI/VITA 42.3
- IPMI resource: FRU hardware definition information stored in on-board EEPROM
- 4 Intel™ 82574IT Gigabit Ethernet controllers
  - 10Base-T / 100Base-TX / 1000Base-T
  - Half or full-duplex operation
  - For each interface: Configurable receive and transmit data FIFO, programmable in 1 KB increments
  - Operating temperature -40°C to +85°C
  - MTBF (MIL-HDBK217F/FN2 GB 20°C) TXMC385-10R: 740000 h



### Order Information

#### RoHS Compliant

**TXMC385-10R** ccXMC, 4 channel 10/100/1000Base-T Ethernet Interface, Intel 82574IT, P16 I/O

For the availability of non-RoHS compliant (lead solder) products please contact TEWS.

#### Documentation

**TXMC385-DOC** User Manual

#### Related Products

**TPIM007** PIM I/O Module for Gigabit Ethernet XMCs