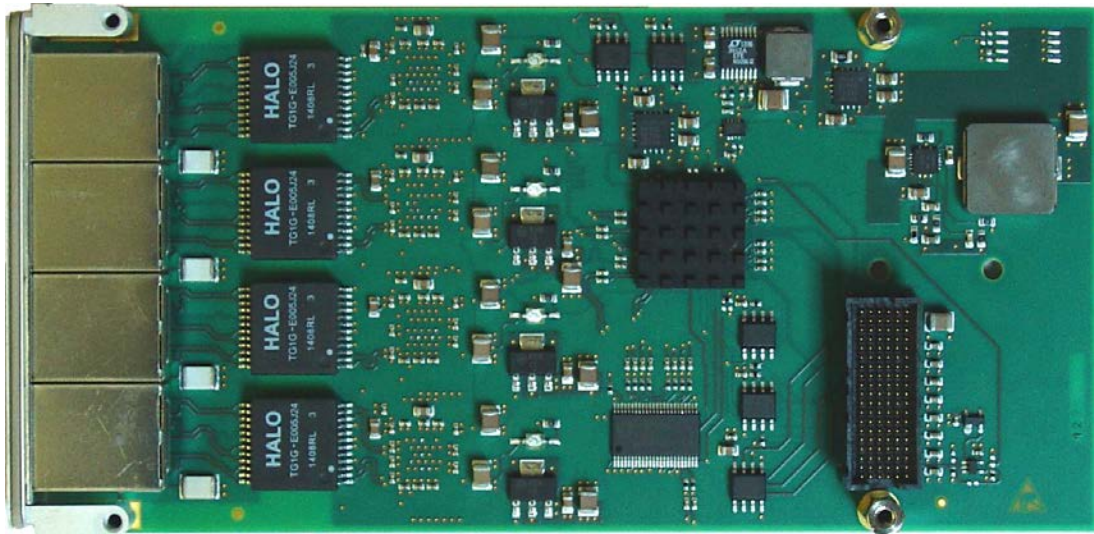


## TXMC885 Four Channel 10/100/1000 Mbit/s Ethernet



### Application Information

The TXMC885 is a Switched Mezzanine Card (XMC) compatible module providing a four channel Ethernet 10BASE-T / 100BASE-TX / 1000BASE-T interface.

A PCI Express Switch provides access to the Intel™ 82574IT Gigabit Ethernet controllers. Each Ethernet interface supports 10, 100 and 1000 Mbit/s transmission rates for full duplex operation, 10 and 100 Mbit/s transmissions for half duplex operation, and is equipped with a 32 Kbit serial EEPROM.

The four Ethernet interfaces of the TXMC885 are capable of performing an auto negotiation algorithm which allows both link-partners to find out the best link-parameters by themselves. The TXMC885 is widely user configurable via configuration and status register access over the PCI Express interface.

The TXMC885-10R provides four 10/100/1000 Mbit/s Ethernet connections via front panel RJ45 connectors.

All ports are galvanically isolated from the Ethernet controllers and LEDs on the board indicate the different network activities.

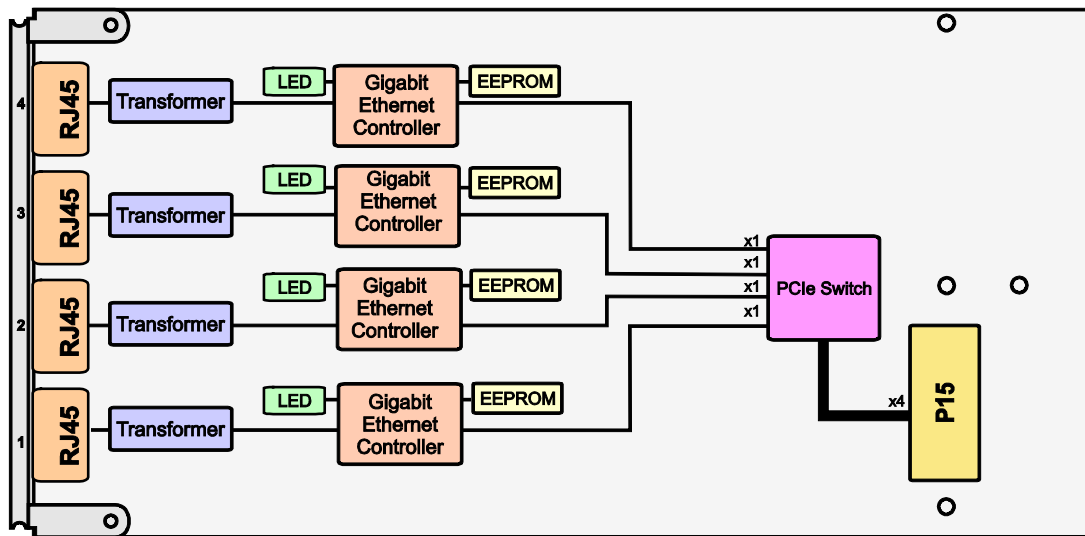
The module meets the requirements to operate in extended temperature range from -40° to +85°C.

#### Software Support:

- Software support for Intel™ 82574IT at [www.intel.com](http://www.intel.com)
- For operating systems not supported by Intel™, please contact TEWS.

### Technical Information

- Form Factor: Standard single-width XMC module conforming to ANSI/VITA 42.0-2008
  - Board size: 149 mm x 74 mm
- PCI Express (Base Specification 1.1) compliant interface conforming to ANSI/VITA 42.3-2006
- IPMI resource: FRU hardware definition information stored in on-board EEPROM
- 4 Intel™ 82574IT Gigabit Ethernet controllers
  - 10Base-T / 100Base-TX / 1000Base-T
  - Half or full-duplex operation
  - For each interface: Configurable receive and transmit data FIFO, programmable in 1 KB increments
  - Operating temperature -40°C to +85°C, constant airflow of 2m/s is required
  - MTBF (MIL-HDBK217F/FN2 GB 20°C)  
TXMC885-10R: 482000 h



### Order Information

#### RoHS Compliant

**TXMC885-10R**                      4 Channel 10/100/1000BaseT Ethernet Interface, Intel 82574IT, RJ45

For the availability of non-RoHS compliant (leaded solder) products please contact TEWS.

#### Documentation

**TXMC885-DOC**                      User Manual