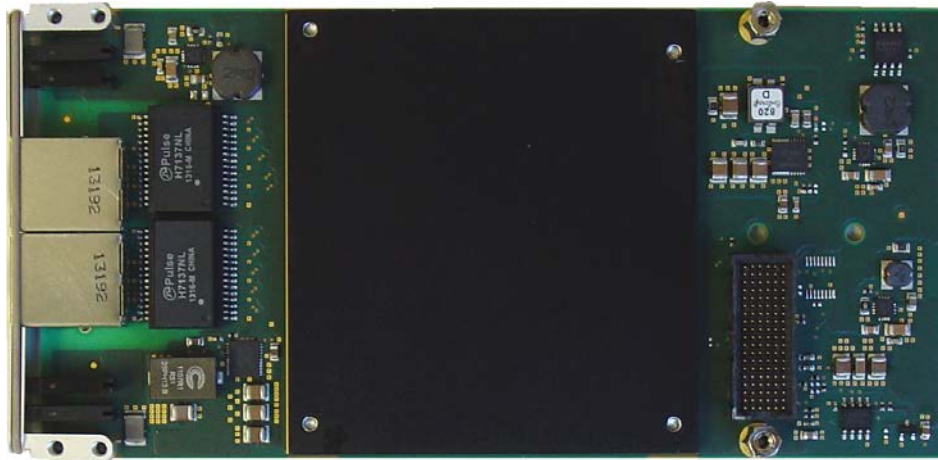


## TXMC887 Two Channel 100/1000/10000 Mbit/s Ethernet Interface



### Application Information

The TXMC887 is a Switched Mezzanine Card (XMC) compatible module providing a two channel Ethernet 100BASE-TX / 1000BASE-T / 10GBASE-T interface.

The XMC-Connector P15 provides access to the Intel™ X540 dual port 10GbE controller via an x8 PCIe link. Both Ethernet interfaces support 100, 1000 Mbit/s and 10 Gbit/s transmission rates at full duplex operation. The controller is equipped with a 16 Mbit serial flash memory which is accessed by hardware at power-up, which has a firmware area and which can be accessed by software.

The two Ethernet interfaces of the TXMC887 are capable of performing an auto-negotiation algorithm which allows the link-partners to determine the best link parameters. The Ethernet controller on the TXMC887 is user configurable via configuration and register accesses over the PCIe interface.

The TXMC887-10R provides two 100/1000/10000 Mbit/s Ethernet interfaces via front panel RJ45 connectors.

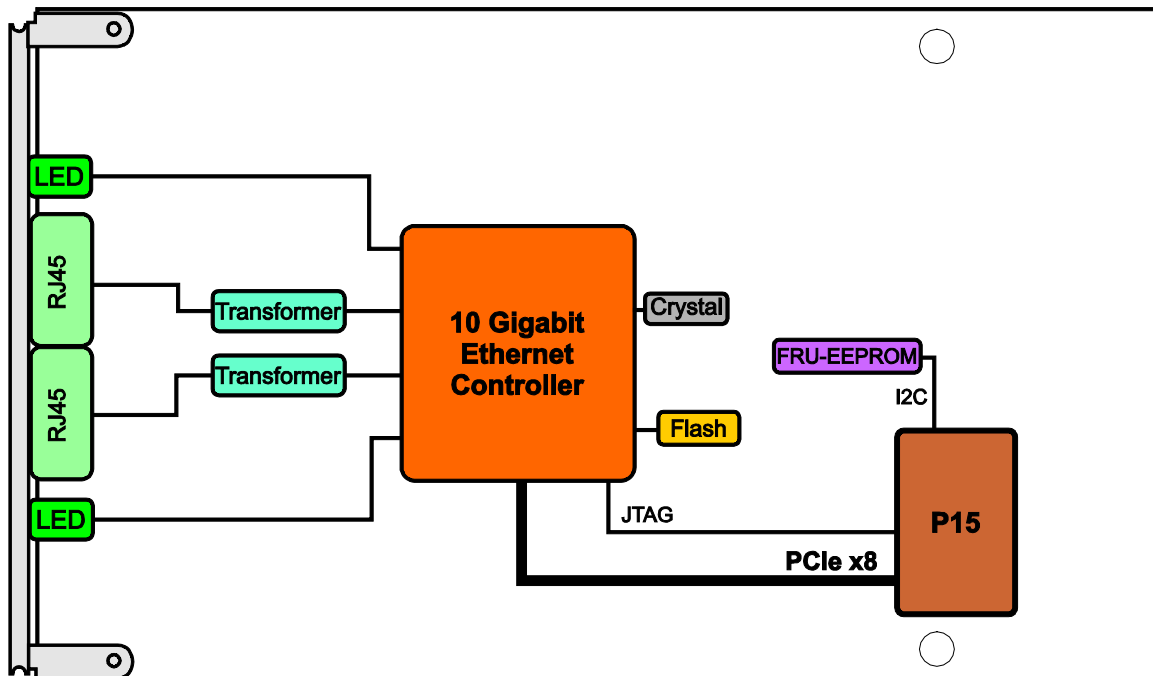
Both ports are galvanically isolated from the Ethernet controllers and LEDs indicate the different network activities.

### Software Support:

- Software support for Intel™ X540 at [www.intel.com](http://www.intel.com)
- For operating systems not supported by Intel™, please contact TEWS.

### Technical Information

- Form Factor: Standard single-width XMC module conforming to ANSI/VITA 42.0
  - Board size: 149 mm x 74 mm
- x8 PCI Express (Base Specification 2.1) compliant interface conforming to ANSI/VITA 42.3
- IPMI resource: FRU hardware definition information stored in on-board EEPROM
- Dual Port Intel™ X540 10 Gigabit Ethernet controller
  - 100Base-TX / 1000Base-T / 10GBase-T
  - Full-duplex operation
  - 16 Mbit serial flash memory connected to Ethernet controller
- Operating temperature 0°C to +55°C
- MTBF (MIL-HDBK217F/FN2 G<sub>B</sub> 20°C) 489000 h



### Order Information

#### RoHS Compliant

**TXMC887-10R** 2 Channel 100Base-TX/1000/10000Base-T Ethernet Interface, Intel X540, RJ45, PCIe x8

For the availability of non-RoHS compliant (lead solder) products please contact TEWS.

#### Documentation

**TXMC887-DOC** User Manual